

R-BBU BATTERY BACK-UP UNIT INSTRUCTION MANUAL

IMPORTANT INSTALLATION INSTRUCTIONS

WARNING – To reduce the risk of severe injury or death to persons:

1. READ AND FOLLOW ALL INSTALLATION INSTRUCTIONS.
2. Make sure the available power supply to be connected to the device is of the same voltage, frequency and phase as indicated on the nameplate of the device.
3. Read and understand the wiring diagram of the device and any other equipment to be connected to the device.
4. Always disconnect power whenever installing or servicing the device.
5. All wiring must be permanent and comply with National Electrical Code (NEC) and local code requirements.
6. For “Indoor Dry” location use only.



Disconnect power at the fuse box before proceeding with any wiring.

WARNING

SPECIFICATIONS

ELECTRICAL	
Input Power :	100~240 VAC , 50 / 60 Hz , 1.7A Max.
Battery :	24 VDC , 5AH
Output Power :	24 VDC , 1A Max.

NOTES:

1. This battery back-up device is for providing 24VDC power only, and is intended to be used with a release device.
2. Device must be connected to power source for at least 8 hours to fully charge batteries.

INSTALLATION INSTRUCTIONS

1. Structure supporting device must be adequate for weight of device.
2. Attach panel to wall using suitable fasteners for mounting conditions, such as
 - expansion or sleeve anchors into concrete
 - sleeve anchors into masonry
 - self-tapping screws into steel framing
 - lag screws into wood framing

On drywall construction, it may be necessary to bridge across studs with a suitable support system.

MAINTENANCE INSTRUCTIONS

1. Replace batteries with the same type every two years or less. [24VDC, 5AH X 1 set (battery X 2)]
2. Check and replace batteries if output voltage is below 19 volts. (Low battery may be indicated by an audible or visible warning – see page 6).



Disconnect power supply to the device before servicing.

WARNING

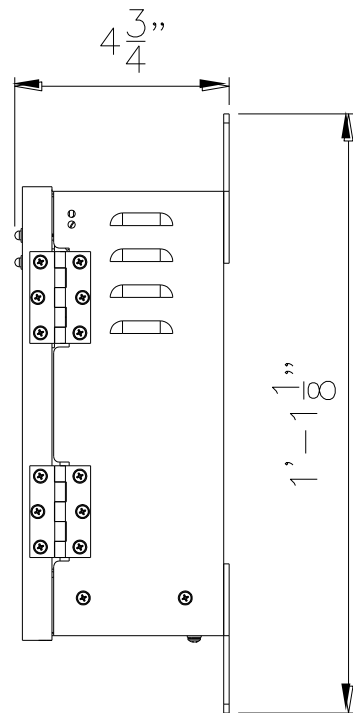
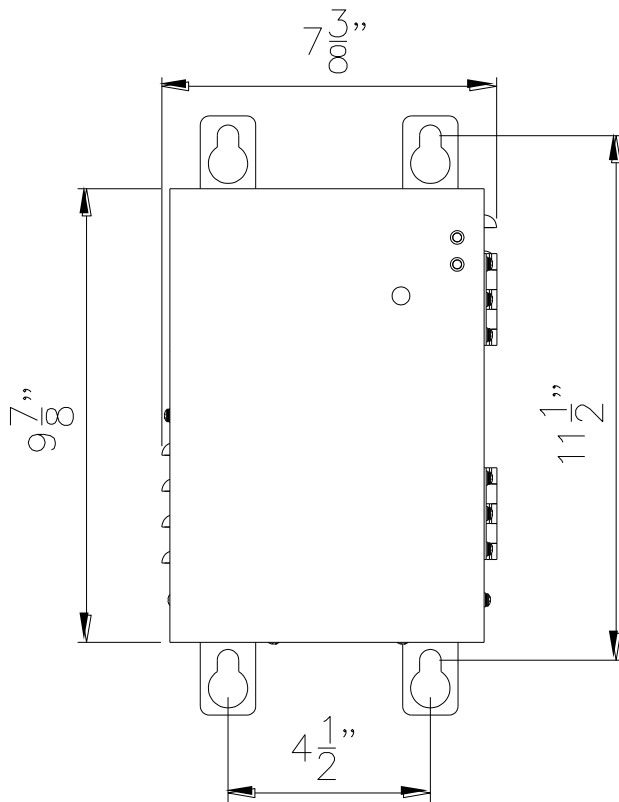
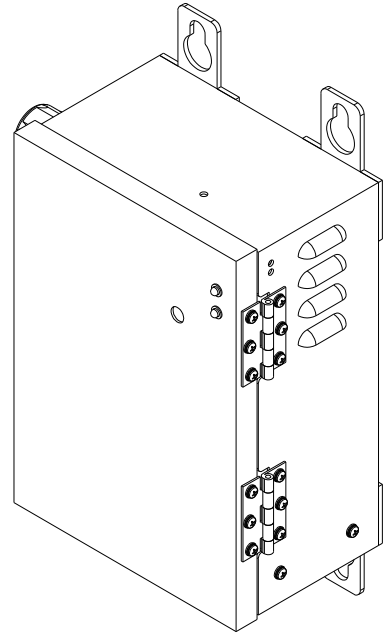
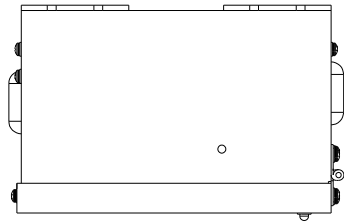
- ❖ Inspect and service whenever a malfunction of the device or equipment connected to it is observed or suspected.
- ❖ Before servicing, always disconnect power supply to the device.
- ❖ Replace fuses only with those of the same type and rating.
- ❖ All replacement parts must be compatible with those originally provided. Consult manufacturer for replacement parts.



WARNING

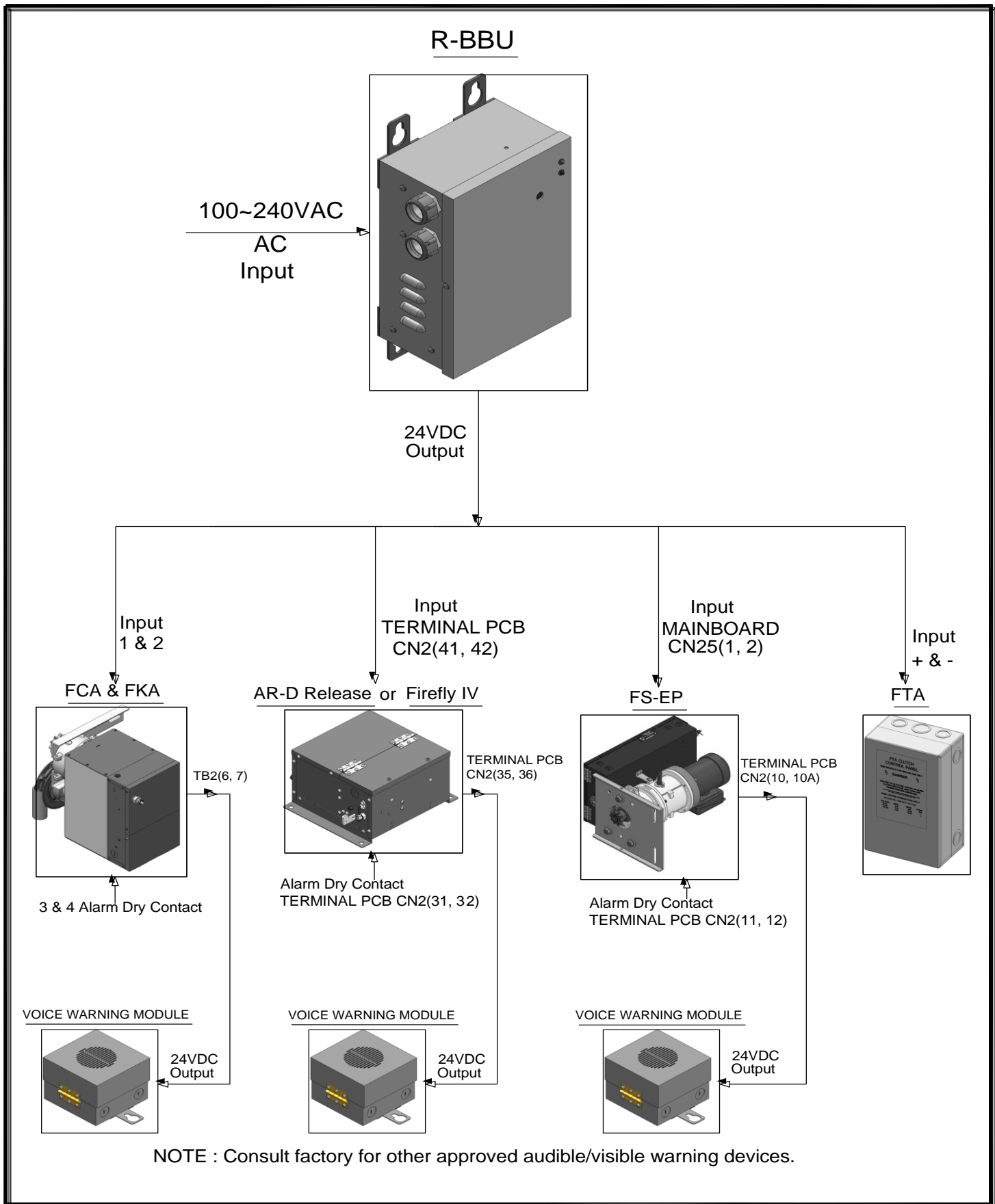
Do not place hands or tools in the device when the power is connected or when testing the device or equipment connected to it. Always disconnect power before servicing or adjusting the device or other equipment connected to it.

R-BBU DIMENSIONS



U.S. Gear
12/10

R-BBU Connections



R-BBU Data Sheet & Functional List

Release Device Battery Backup Unit

R-BBU



Data Sheet

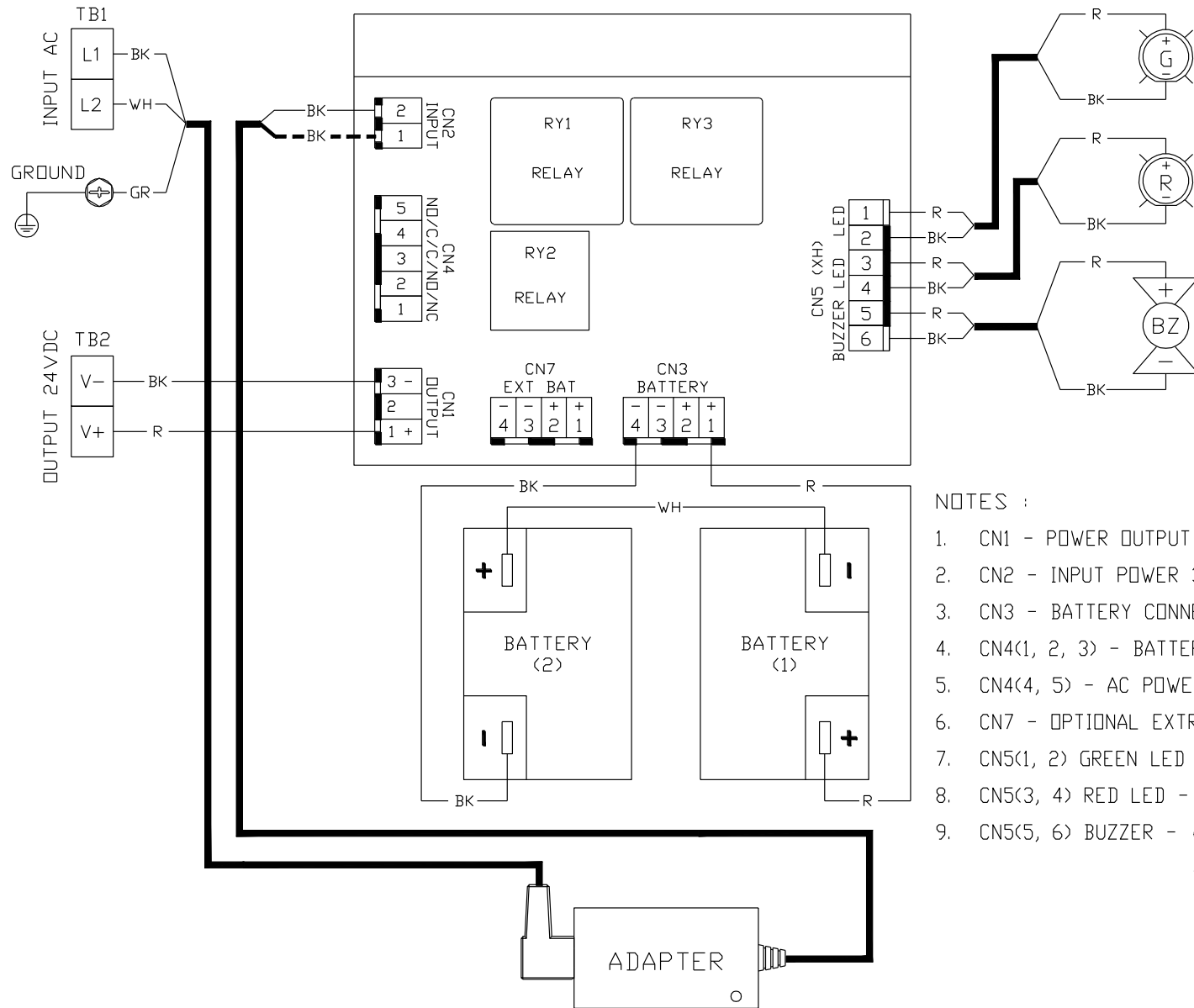
Item	Content	Specification
1	Input Voltage	100~240 VAC
2	Input Frequency	50 / 60 Hz
3	Input Current	1.7 A
4	Output Voltage	24 VDC
5	Output Current	1 A
6	Battery Capacity	24 VDC, 5 AH X 1 set (battery X 2)
7	AC power present	Dry Contact
8	Low Battery Warning	Dry Contact and buzzer sound
9	Models to connect (standby Hrs)	FCA (up to 3.3 hours), FKA (up to 3.3 hours), AR-D (up to 10 hours), Firefly IV (up to 10 hours), FTA (up to 8 hours), FS-EP 30~50 (up to 7 hours), FS-EP 70~150 (up to 3.3 hours)
10	Optional extra battery pack (to extend standby Hrs)	24 VDC, 5AH X 2 sets (battery X 4) FCA (up to 9.9 hours), FKA (up to 9.9 hours), AR-D (up to 30 hours), Firefly IV (up to 30 hours), FTA (up to 24 hours), FS-EP 30~50 (up to 21 hours), FS-EP 70~150 (up to 9.9 hours)
11	Net Weight lbs(kgs)	7.7lbs (3.5kgs) (not including battery)
12	Package Gross Weight lbs(kgs)	17.6lbs (8kgs) (including battery)

Function List

1	AC abnormal signal output contact
2	DC power output through AC or DC source independently
3	MAX 1 A charging current
4	Optional extra battery pack

R-BBU 100~240VAC 1 PHASE

R-BBU-02



NOTES :

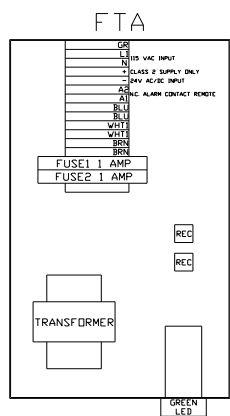
1. CN1 - POWER OUTPUT 24VDC.
2. CN2 - INPUT POWER 30VDC.
3. CN3 - BATTERY CONNECTION.
4. CN4(1, 2, 3) - BATTERY LOW DRY CONTACT.
5. CN4(4, 5) - AC POWER ON CONTACT NORMAL CLOSE.
6. CN7 - OPTIONAL EXTRA BATTERY PACK CONNECTION.
7. CN5(1, 2) GREEN LED - AC POWER ON.
8. CN5(3, 4) RED LED - BATTERY LOW.
9. CN5(5, 6) BUZZER -
 - NO BATTERY : INTERMITTENT BEEP.
 - BATTERY LOW : CONTINUOUS BEEP.

2014.03.05

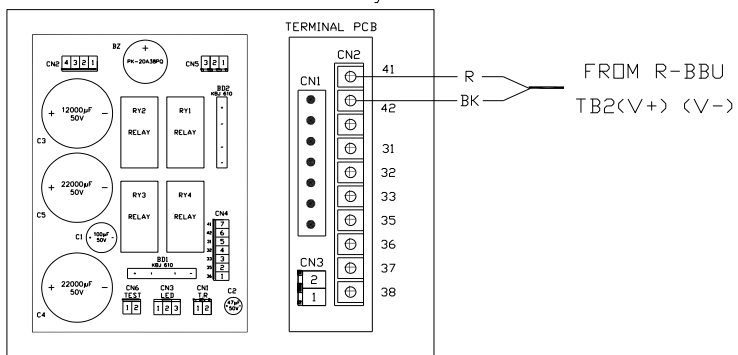
R-BBU CONNECTIONS

NR-BBU-03

WARNING : TURN OFF POWER BEFORE INSTALLATION

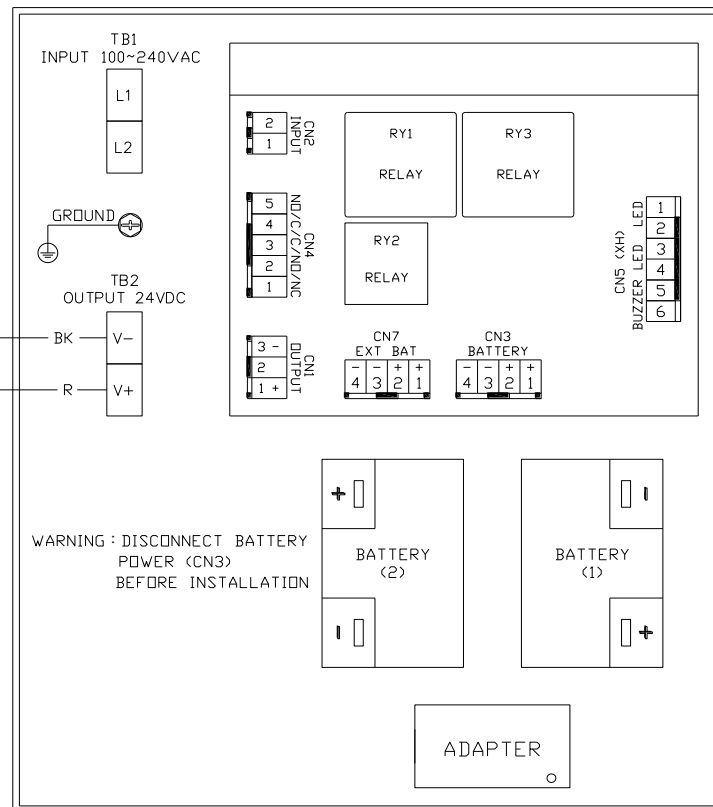


AR-D Release or Firefly IV

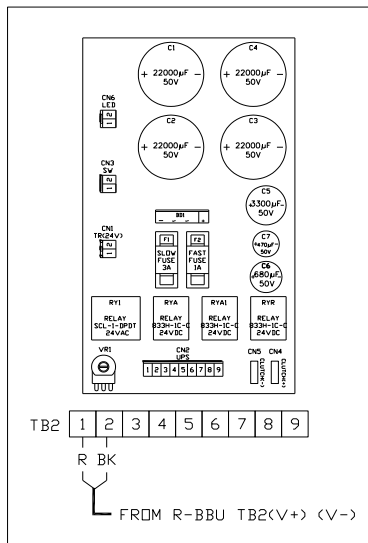


TO FCA & FKA
OR AR-D Release or Firefly IV
OR FTA
OR FS-EP

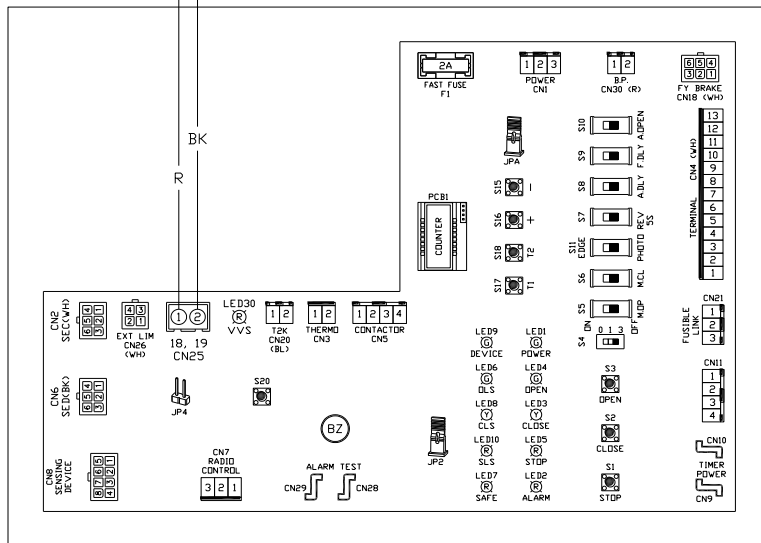
NOTE:
1. CN7 - OPTIONAL EXTRA BATTERY PACK CONNECTION.



FCA & FKA



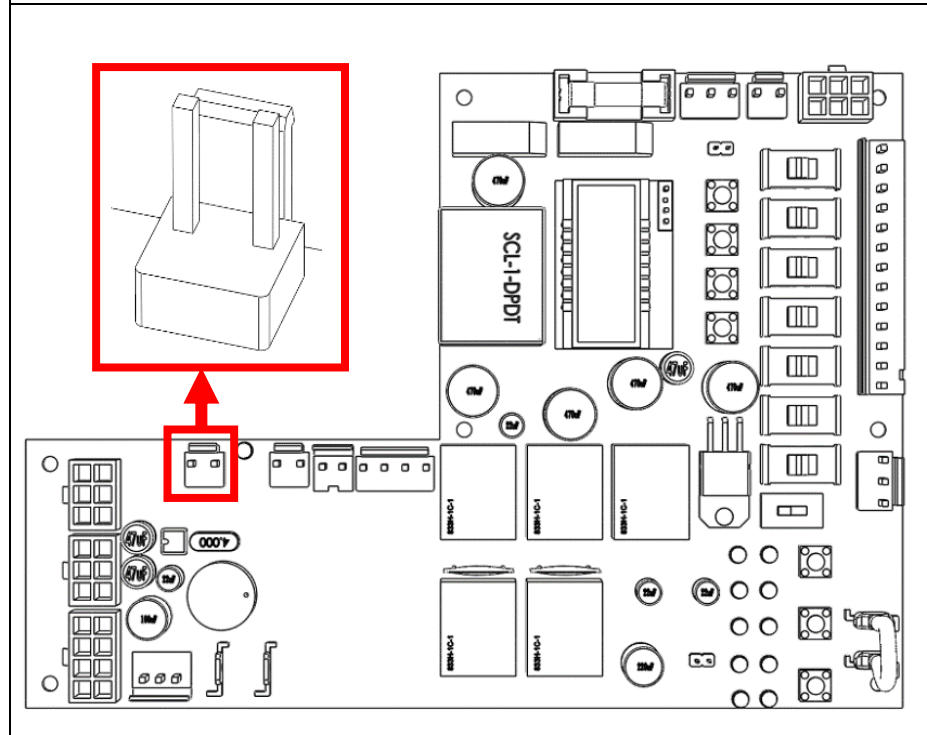
FS-EP FROM R-BBU TB2(V+) (V-)



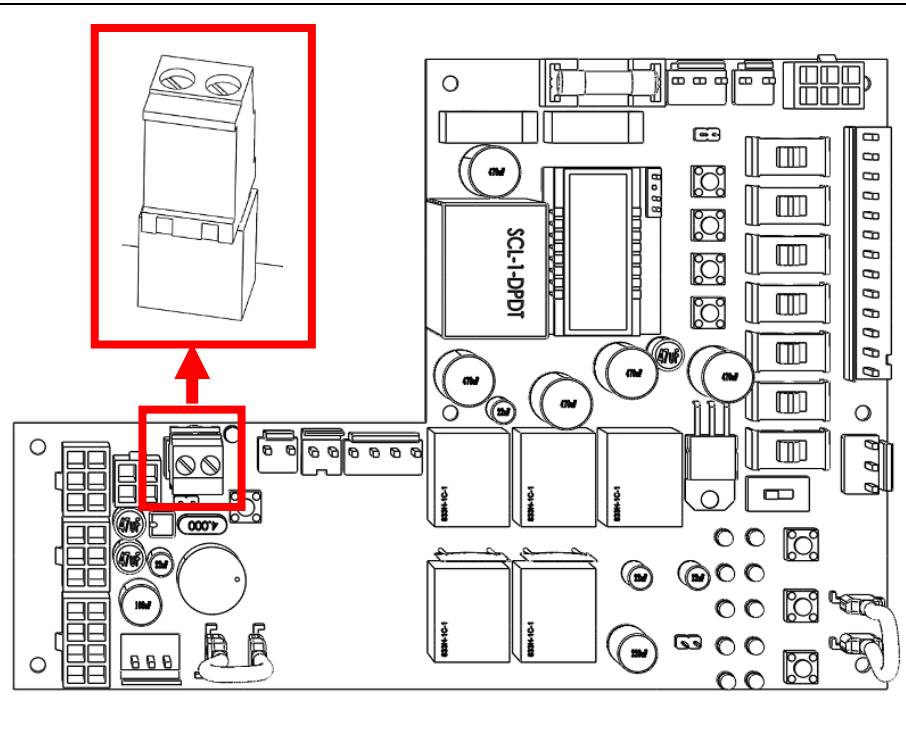
2018.08.13

U.S. GEAR
08/2018

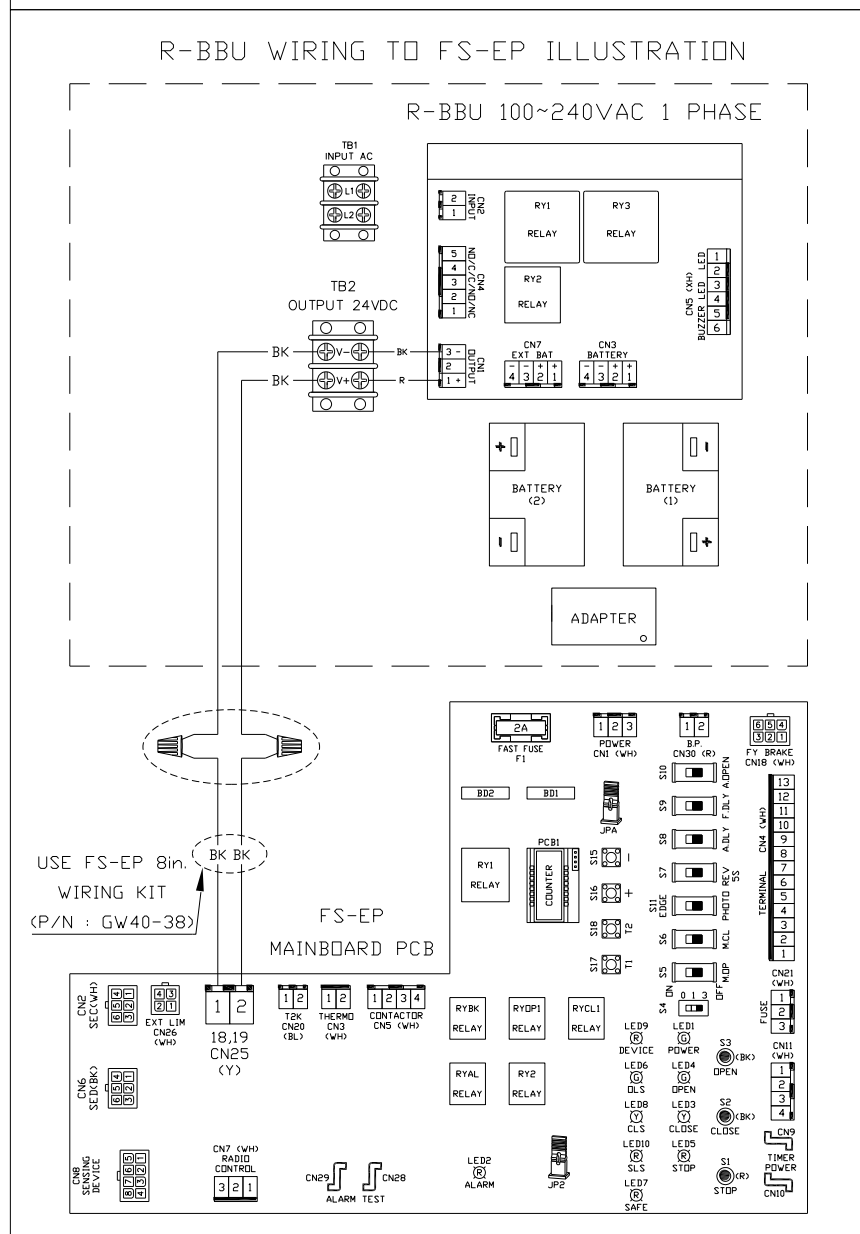
FS EP Board with YELLOW CN18,19 Socket Pin



FS EP Board with GREEN CN18,19 Connector



FS EP Board with YELLOW CN18, 19 Socket Pin



FS EP Board with GREEN CN18, 19 Connector

