

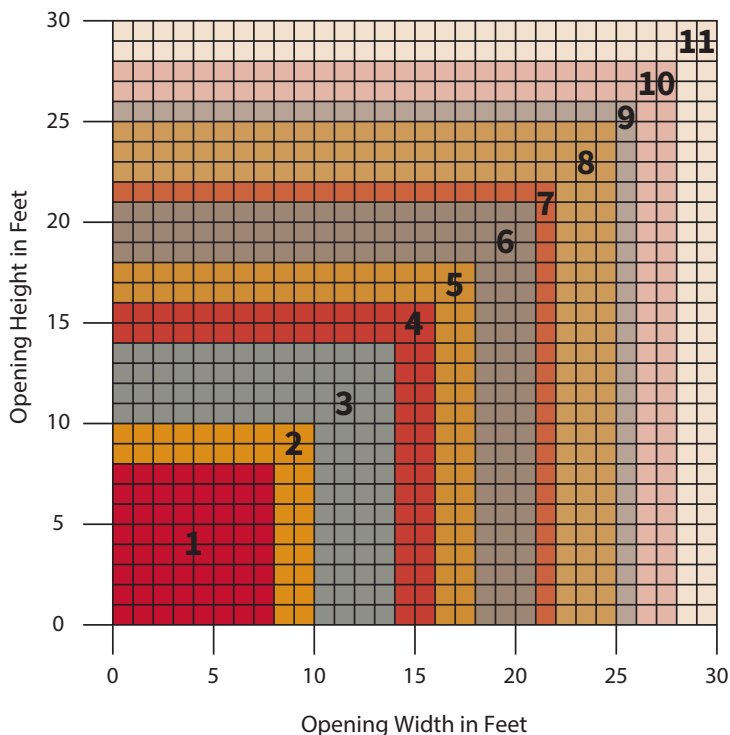
ROLLING DOORS

# SERVICE DOOR

Model ESD10

## MEASURE THE WIDTH AND HEIGHT OF THE DOOR OPENING

### DOOR SIZE AND AREA



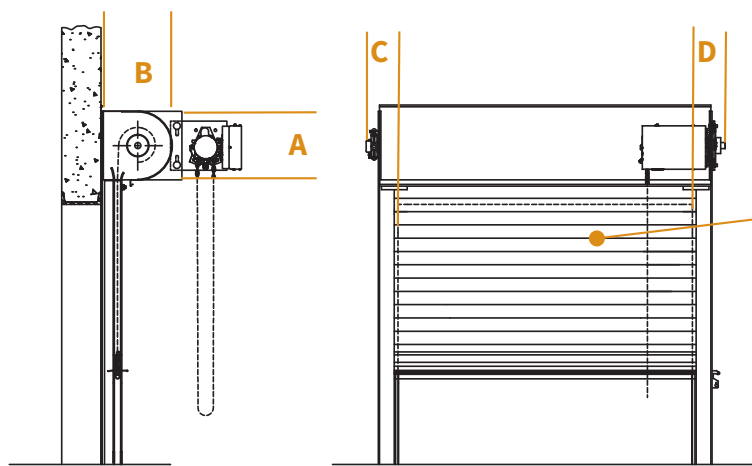
### COMPONENT DIMENSIONS

Reference the zone number to view component dimensions for motorized doors.

|    |    |    |   |    |
|----|----|----|---|----|
| 1  | 14 | 16 | 5 | 7  |
| 2  | 15 | 17 | 5 | 7  |
| 3  | 16 | 18 | 5 | 7  |
| 4  | 17 | 19 | 5 | 9  |
| 5  | 18 | 20 | 5 | 9  |
| 6  | 19 | 21 | 5 | 9  |
| 7  | 20 | 22 | 7 | 9  |
| 8  | 21 | 23 | 7 | 9  |
| 9  | 22 | 24 | 7 | 11 |
| 10 | 23 | 25 | 7 | 11 |
| 11 | 24 | 26 | 7 | 11 |

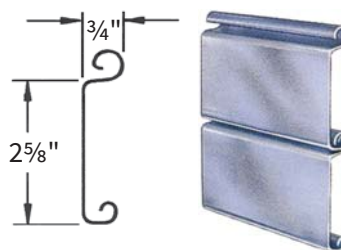
Dimensions in Inches

Zone A B C D



The dimensions featured on this sheet are provided as a guide. Please visit our website at [www.cornelliron.com/drawings](http://www.cornelliron.com/drawings) to generate drawings on demand with exact dimensions.

### CURTAIN SLAT DESIGN



Remember, three main factors when choosing a guide assembly are:

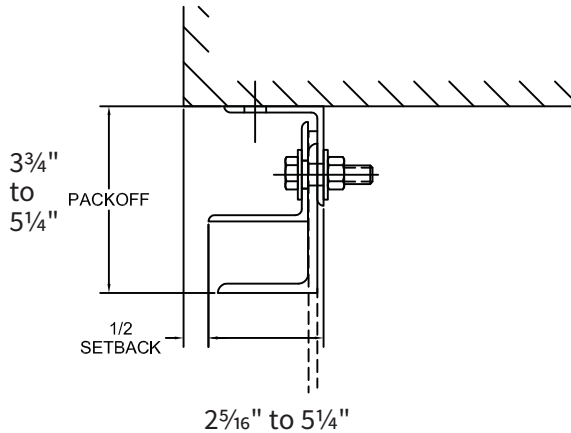
1. Wall construction
2. Operation
3. Side clearance

## GUIDE CONSTRUCTION OPTIONS

### FACE OF WALL

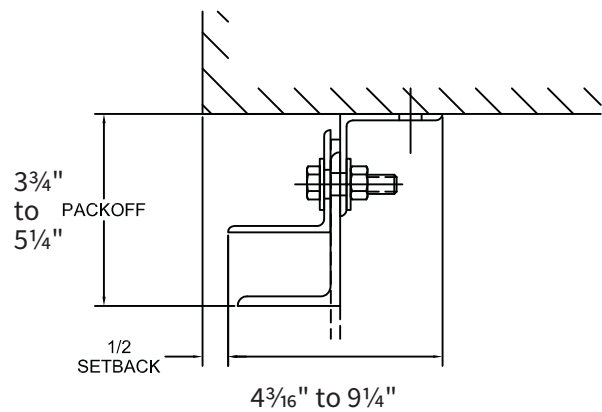
#### E GUIDE

Typically used with steel jamb



#### Z GUIDE

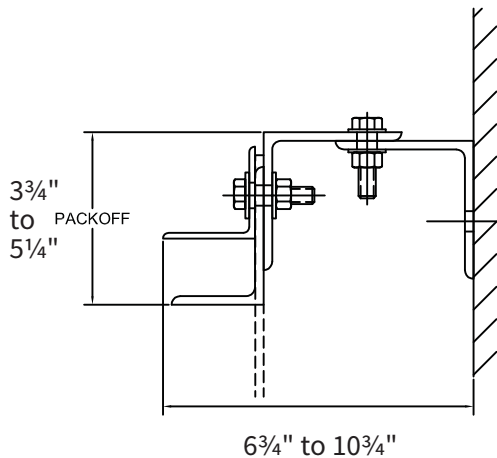
Typically used with masonry wall construction



### BETWEEN JAMBS

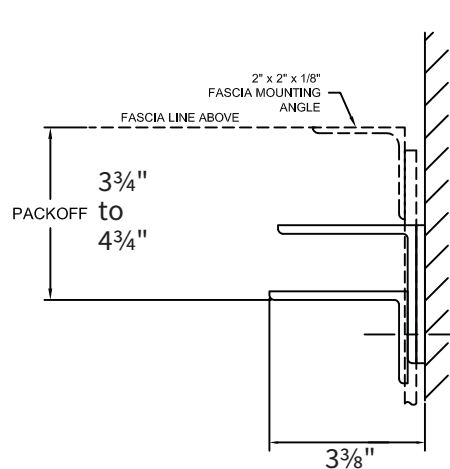
#### 4 ANGLE

Most common for doors with chain/crank/motor operation



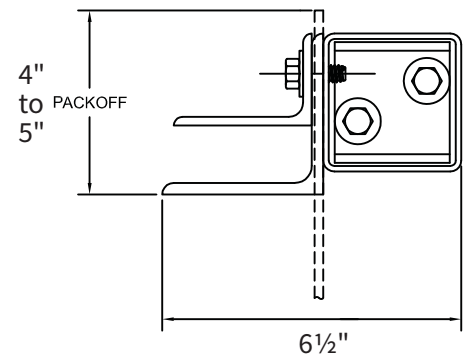
#### 2 ANGLE

Typically used for small push-up doors that can utilize an inside spring adjustor



#### 2 ANGLE - TUBES

Typically used if there's no wall support, or tubes and guides need to be recessed within the wall construction



The dimensions featured on this sheet are provided as a guide. Please visit our website at [www.cornelliron.com/drawings](http://www.cornelliron.com/drawings) to generate drawings on demand with exact dimensions.

## CUSTOM-DESIGNED SOLUTIONS

Our experienced Architectural Design Support Team can customize our products to fit your specific application.

Call 800.233.8366 ext. 4551 • [ads@cornelliron.com](mailto:ads@cornelliron.com)