

# TRUCYCLE™ SECURITY GRILLE

Models HCESG10 (straight) and HCESG12 (brick)

## MEASURE THE WIDTH AND HEIGHT OF THE OPENING

### FACE OF WALL

6'	15"	15"	5.5"	12 <sup>3</sup> / <sub>4</sub> "-14"	7"
7'	15"	15"			
8'	16"	16"			
9'	16"	16"			
10'	16"	16"			
11'	17"	17"			
12'	17"	17"			
13'	18"	18"			
14'	18"	18"			
15'	19"	19"			
16'	19"	19"			

### BETWEEN JAMBS

6'	17"	17"	5.5"	12 <sup>3</sup> / <sub>4</sub> "-14"	7"
7'	17"	17"			
8'	17"	17"			
9'	17"	17"			
10'	17"	17"			
11'	17"	17"			
12'	18"	18"			
13'	18"	18"			
14'	18"	18"			
15'	19"	19"			
16'	19"	19"			

HEIGHT

A

B

C

D

E

HEIGHT

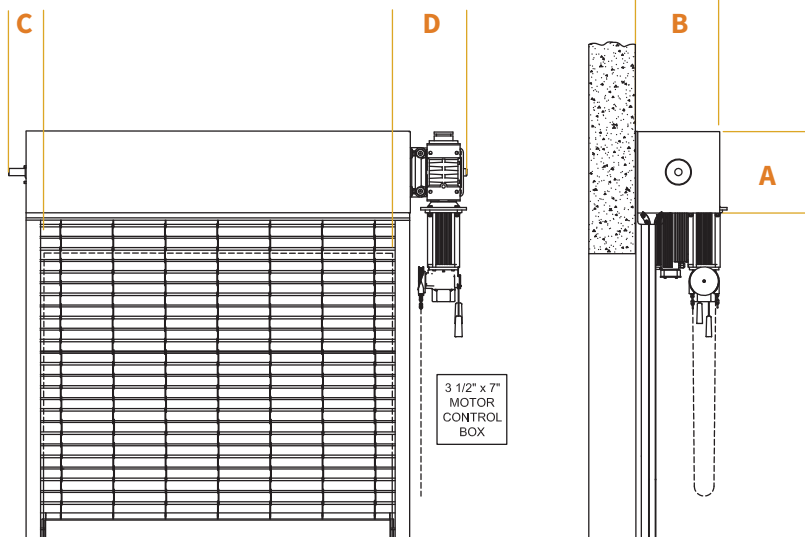
A

B

C

D

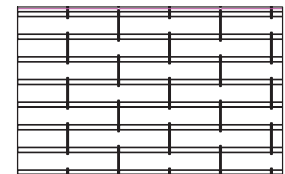
E



## CURTAIN DESIGNS



Straight



Brick

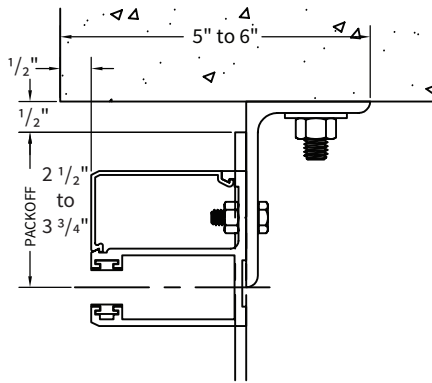
The dimensions featured on this sheet are provided as a guide. Please visit our website at [www.cornelliron.com/drawings](http://www.cornelliron.com/drawings) to generate drawings on demand with exact dimensions.

# SECURITY GRILLES **TRUCYCLE™** Models HCESG10 & HCESG12

## GUIDE CONSTRUCTION OPTIONS

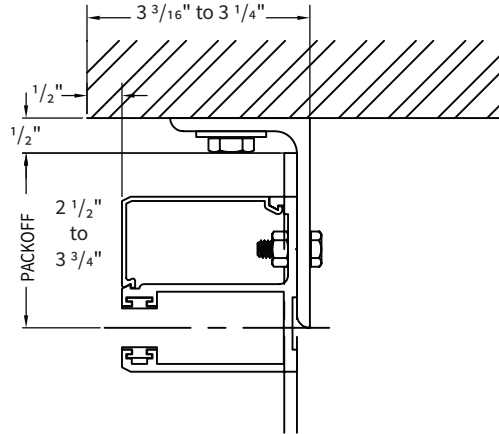
### FACE OF WALL Z

Typically used with masonry wall construction, guides are mounted to the interior or exterior side of the wall.



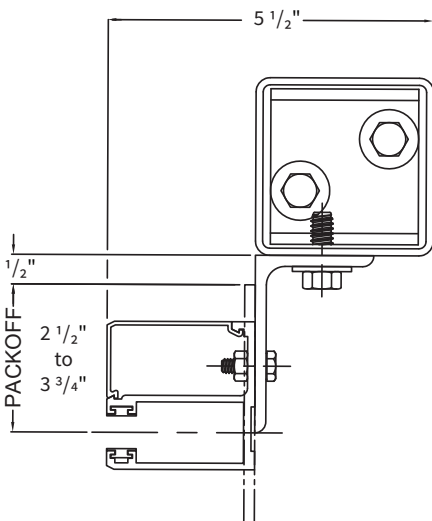
### FACE OF WALL E

Typically used with steel jambs, guides are mounted to the interior or exterior side of the wall.



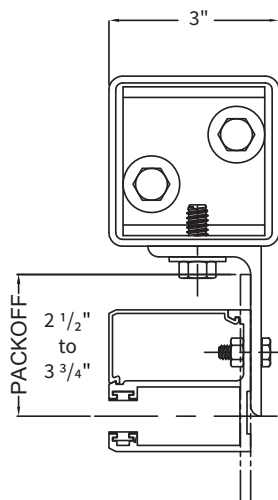
### FACE OF WALL Z WITH 3x3 TUBES

Used when there is uneven or insufficient wall structure, guides are mounted to tubes attached to floor and overhead structure.



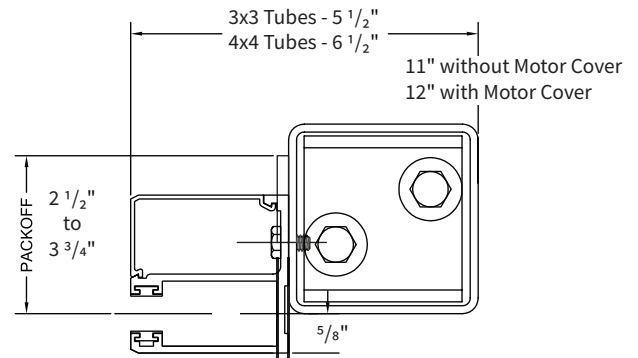
### FACE OF WALL E WITH 3x3 TUBES

Used when there is uneven or insufficient wall structure, guides are mounted to tubes attached to floor and overhead structure.



### BETWEEN JAMBS WITH SQUARE TUBES (3x3 & 4x4 STEEL TUBES AVAILABLE)

Typically used if there's no wall support, trim piece required to provide clearance for operator.



The dimensions featured on this sheet are provided as a guide. Please visit our website at [www.cornelliron.com/drawings](http://www.cornelliron.com/drawings) to generate drawings on demand with exact dimensions.

## CUSTOM-DESIGNED SOLUTIONS

Our experienced Architectural Design Support Team can customize our products to fit your specific application. Call 800.233.8366 ext. 4551 • [architecturaldesignsupport@cornellcookson.com](mailto:architecturaldesignsupport@cornellcookson.com)