

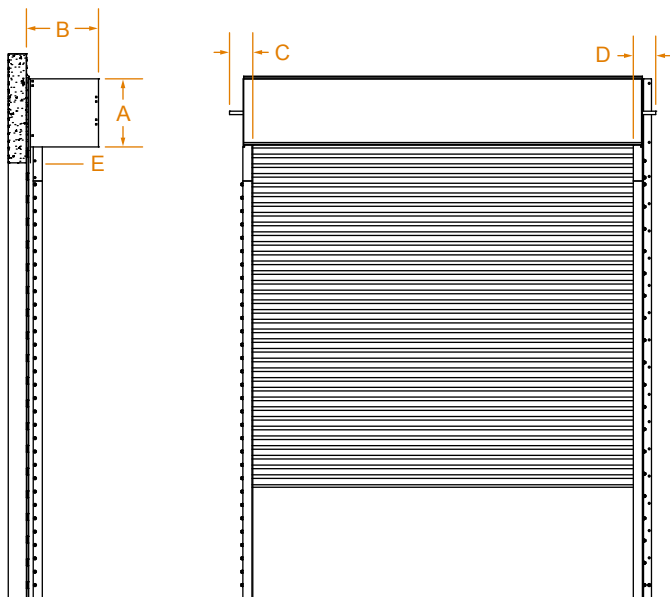
STORMDEFENDER™ DOOR BY CORNELL

Model PSD361 and Model PRSD361 (fire-rated)

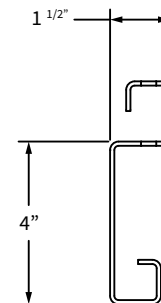
MEASURE THE HEIGHT AND WIDTH OF THE OPENING

COMPONENT DIMENSIONS

3'	19"	19"	9 5/8" to 11"	6 5/8" to 8"	5" to 7"			
4'	20"	20"						
5'	21"	21"						
6'	22"	22"						
7'	22"	22"						
8'	23"	23"						
9'	24"	24"						
10'	24"	24"						
11'	25"	25"						
12'	26"	26"						
13'	26"	26"						
14'	28"	28"						
15'	29"	29"						
16'	29"	29"						
Opening Height (feet)	A	B				C (Operator)	D (Adjustor)	E



SLAT CROSS-SECTION



The details and dimensions on this sheet are provided as a rough guide for planning purposes. Project specific details and dimensions are available by generating drawings from our website: www.cornelliron.com/drawings

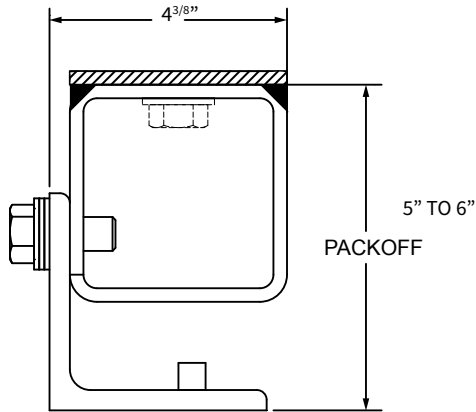
DEFENDER SERIES **STORMDEFENDER™ DOOR** Model PSD361 and Model PRSD361 (fire-rated)

GUIDE CONSTRUCTION OPTIONS

PLEASE NOTE:
No certified rolling door can be mounted to filled cmu.

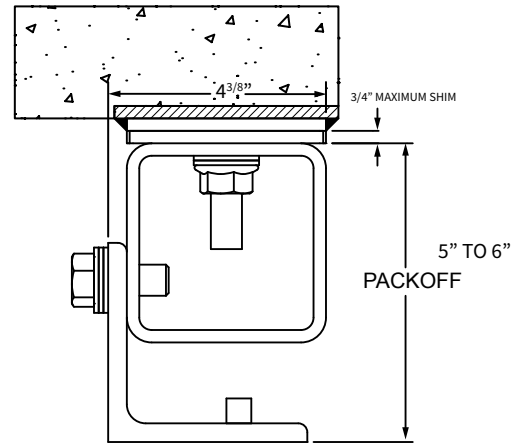
E GUIDE

Typically used with steel jambs



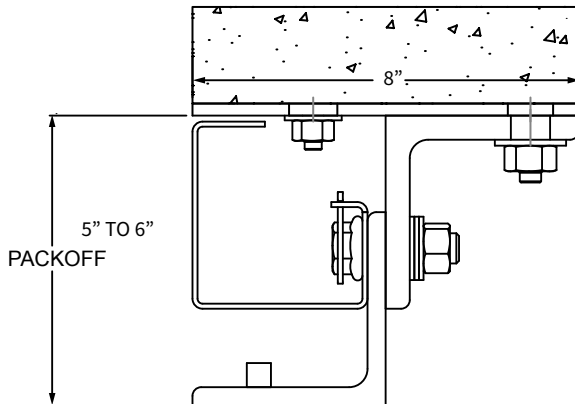
E GUIDE WITH SHIMS

Typically used with for uneven mounting surfaces, i.e. embedment plates

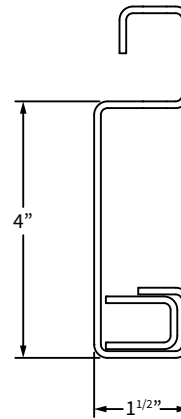


Z GUIDE

Typically used with concrete wall construction



BOTTOM BAR



The details and dimensions on this sheet are provided as a rough guide for planning purposes. Project specific details and dimensions are available by generating drawings from our website: www.cornelliron.com/drawings

CUSTOM-DESIGNED SOLUTIONS

Our experienced Architectural Design Support Team can customize our products to fit your specific application. Call 800.233.8366 ext. 4551 • architecturaldesignsupport@cornellcookson.com