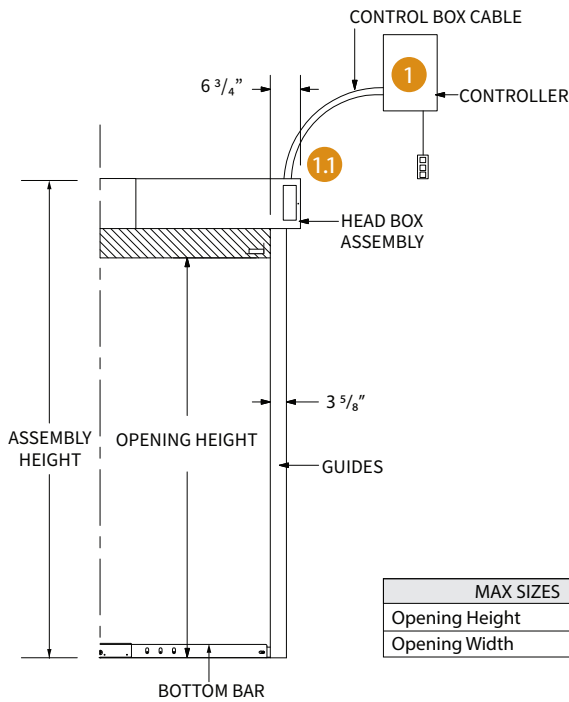


FIRE SAFETY CLOSURES

SMOKESHIELD™ FABRIC SMOKE AND FIRE

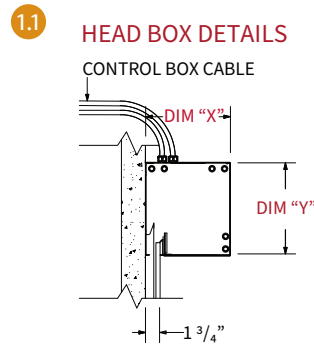
Model ERF20

FACE OF WALL MOUNT

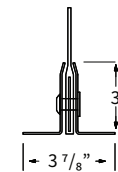


MAX SIZES	
Opening Height	20'
Opening Width	22'

1	CONTROLLER
	Is Remotely Mounted
	115vac, Single Phase, 50/60hz
	Battery Back-Up
	12" x 17" x 5 1/2"

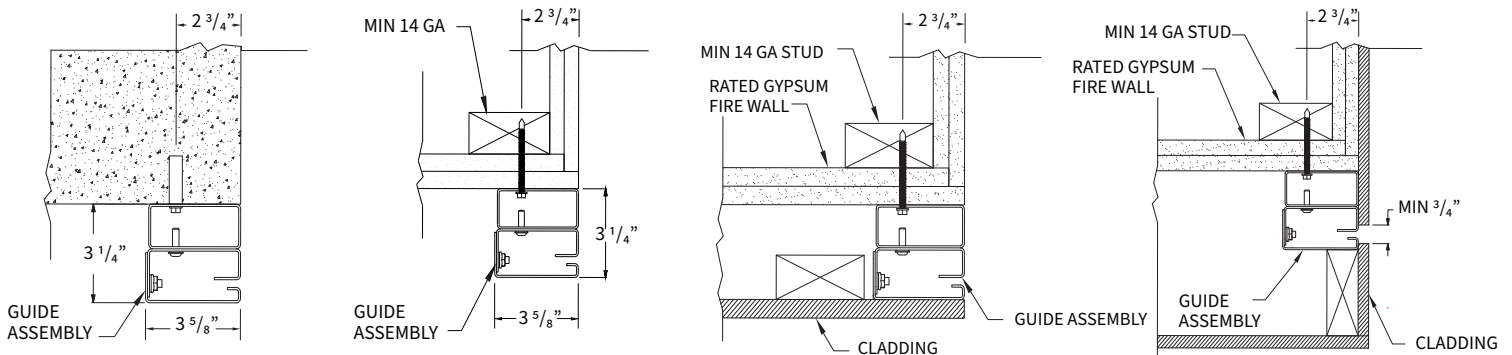


BOTTOM BAR SIDE VIEW

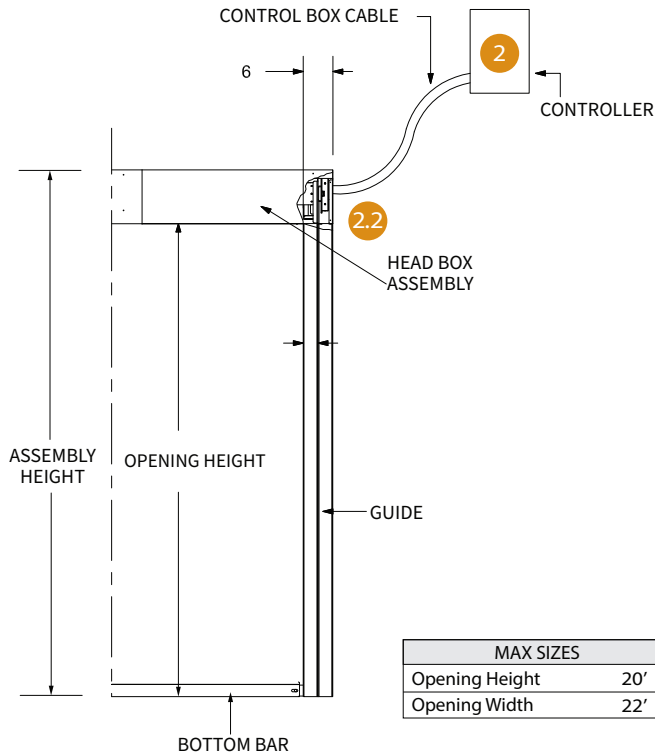


Clear Opening Height	DIMENSION X	DIMENSION Y	
		Opening Width ≤ 19FT	Opening Width ≥ 19FT
11'	10"	11"	17"
16'	11"	12"	18"
20'	12"	13"	19"

FACE OF WALL MOUNT GUIDE DETAILS



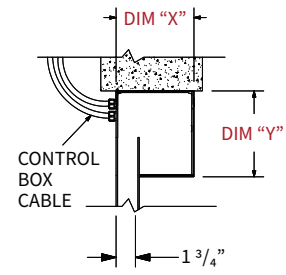
UNDER LINTEL BETWEEN JAMBS MOUNT



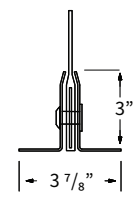
2

CONTROLLER
Can be Remotely Mounted
115vac, Single Phase, 50/60hz
Battery Back-Up
12" x 17" x 5 1/2"
Standard Three-Button Switch

2.2 HEAD BOX DETAILS



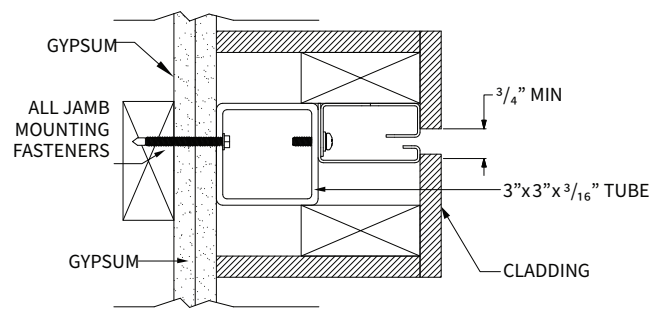
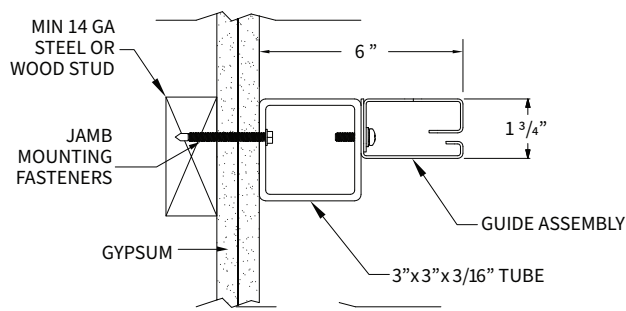
BOTTOM BAR SIDE VIEW



MAX SIZES	
Opening Height	20'
Opening Width	22'

Clear Opening Height	DIMENSION X	DIMENSION Y	
		Opening Width ≤ 19FT	Opening Width > 19FT
11'	10"	11"	17"
16'	11"	12"	18"
20'	12"	13"	19"

BETWEEN JAMBS MOUNT GUIDE DETAILS



The dimensions featured on this sheet are provided as a rough guide for planning purposes. Exact dimensions cannot be provided until field conditions and all options are confirmed. Once field conditions are confirmed, please visit our website at www.cornelliron.com/drawings to generate custom drawings on demand for your specific opening.

CUSTOM-DESIGNED SOLUTIONS

Our experienced Architectural Design Support Team can customize our products to fit your specific application.

architectdoorhelp.com