

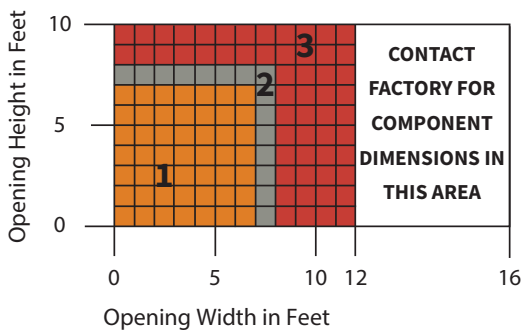
# FIRE RATED COUNTER SHUTTER

Model ERC10 & Model ERC 11 (SmokeShield®)

## MEASURE THE WIDTH AND HEIGHT OF THE OPENING

### DOOR SIZE AND AREA\*

The maximum limits listed in our UL procedure are for counter fire doors up to 16'-0" wide, 10'-0" high with a 120 sq ft maximum\*\*. If the counter shutter is over 12' wide the limit is 7'6" high.



\*Chart based on 22 gauge steel slats.

\*\*A unit that exceeds any one of these limits may be possible, but will need to be field-tested.

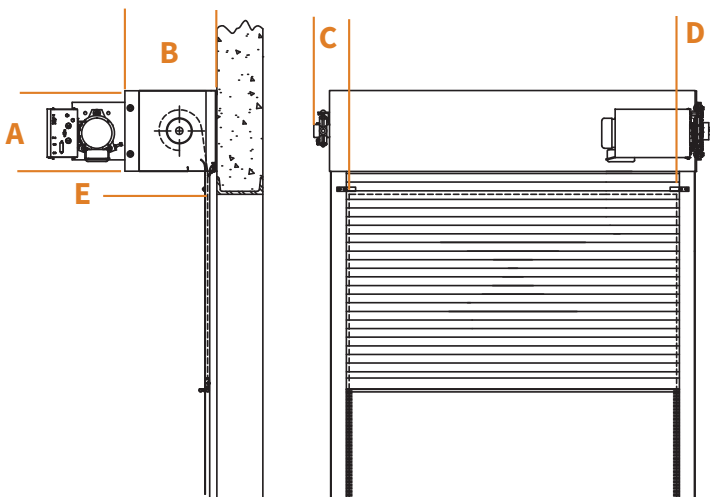
### COMPONENT DIMENSIONS

Reference the zone number to view component dimensions for motorized doors.

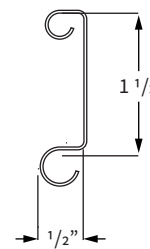
1	11	11	3	5	MIN UPSET BETWEEN 2"-5" DEPENDING ON CONFIGURATION
2	12	12	3	5	
3	13	13	3	5	

Dimensions in Inches

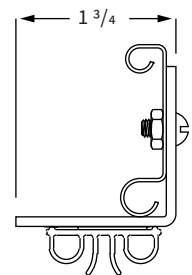
Zone A B C D



### SLAT CROSS-SECTION



### ANGLE BOTTOM BAR



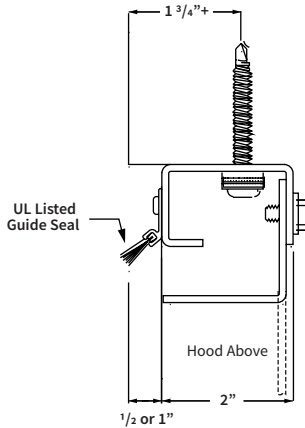
The details and dimensions on this sheet are provided as a rough guide for planning purposes. Project specific details and dimensions are available by generating drawings from our website: [www.cornelliron.com/drawings](http://www.cornelliron.com/drawings)

# FIRE PROTECTIVE CLOSURE **FIRE RATED COUNTER SHUTTER** Model ERC10 & Model ERC11 (SmokeShield®)

## GUIDE CONSTRUCTION OPTIONS

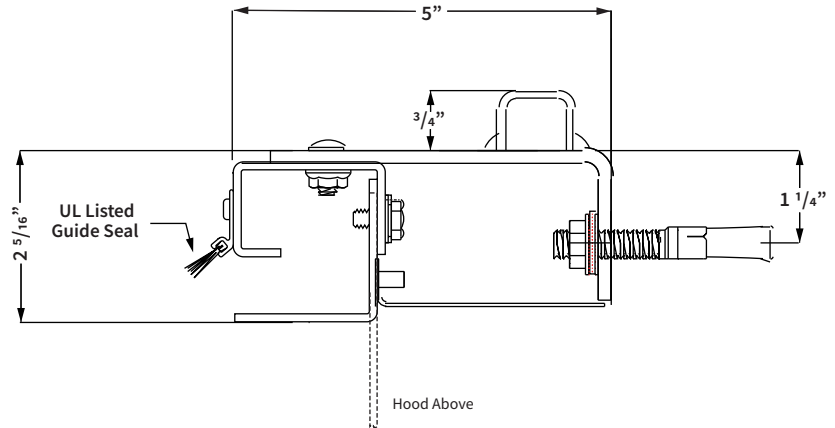
### 3" SHAFT FACE OF WALL

Guides are mounted to the interior or exterior side of the wall.



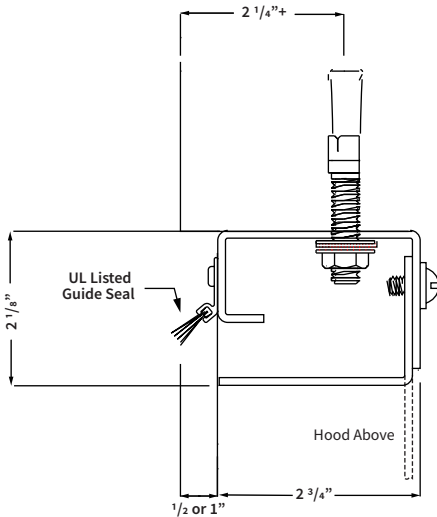
### 3" SHAFT BETWEEN JAMBS

Guides are mounted to the inside of the jamb.



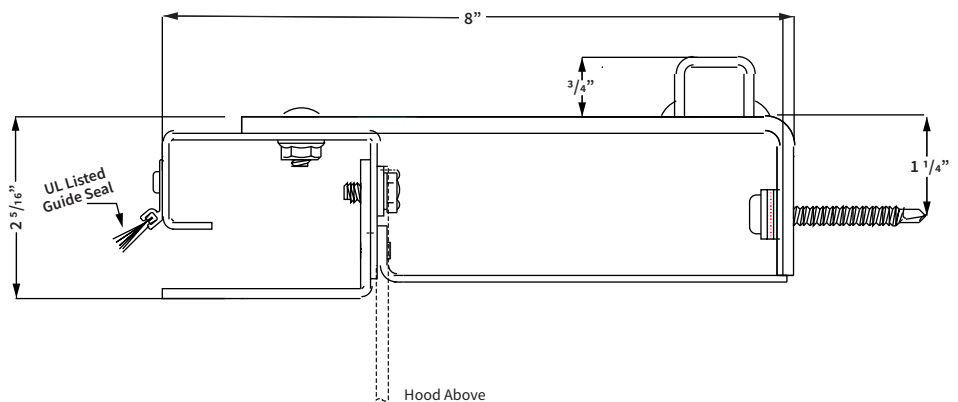
### 4" SHAFT FACE OF WALL

Guides are mounted to the interior or exterior side of the wall.



### 4" SHAFT BETWEEN JAMBS

Guides are mounted to the inside of the jamb.



The details and dimensions on this sheet are provided as a rough guide for planning purposes. Project specific details and dimensions are available by generating drawings from our website: [www.cornelliron.com/drawings](http://www.cornelliron.com/drawings)

## CUSTOM-DESIGNED SOLUTIONS

Our experienced Architectural Design Support Team can customize our products to fit your specific application. Call 800.233.8366 ext. 4551 • [architecturaldesignsupport@cornellcookson.com](mailto:architecturaldesignsupport@cornellcookson.com)