

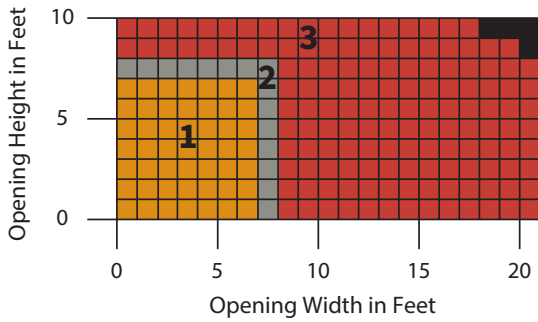
ROLLING COUNTER DOOR

# EXAM ROOM COUNTER DOOR

Model ESC15

## MEASURE THE WIDTH AND HEIGHT OF THE OPENING

### DOOR SIZE AND AREA\*



\*Chart based on 22 gauge steel slats with tube motor operation

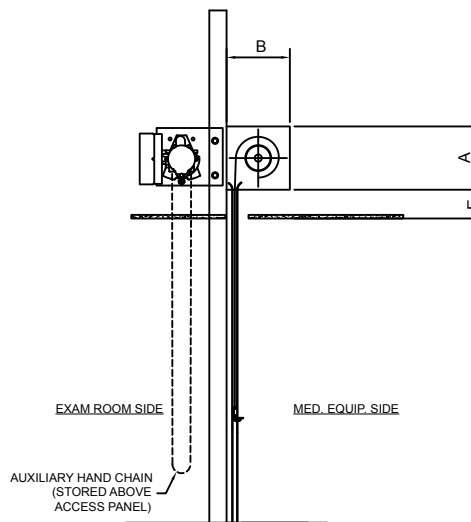
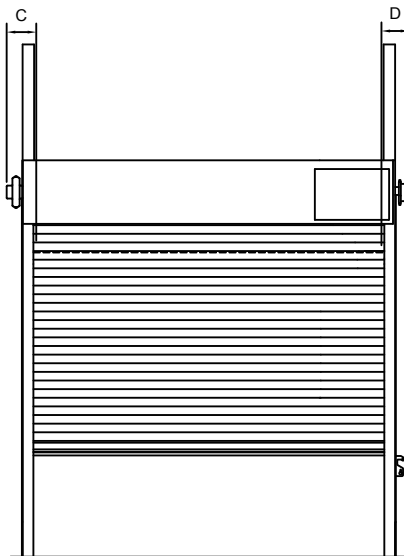
### COMPONENT DIMENSIONS

Reference the zone number to view component dimensions for tube motorized doors.

Dimensions in Inches

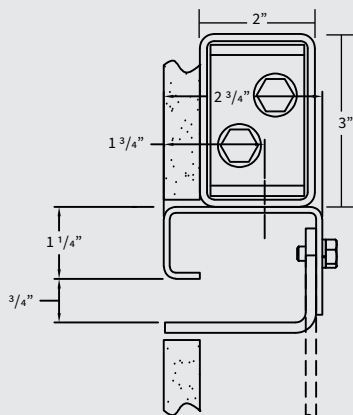
1	11	11	3	5	MIN UPSET BETWEEN 2"-5" DEPENDING ON CONFIGURATION
2	12	12	3	5	
3	13	13	3	5	

Zone A B C D E

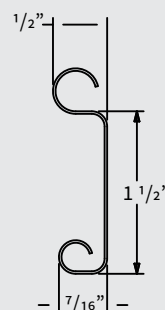


The dimensions featured on this sheet are provided as a guide. Please visit our website at [www.cornelliron.com/drawings](http://www.cornelliron.com/drawings) to generate drawings on demand with exact dimensions.

### GUIDE CONSTRUCTION



### SLAT CROSS SECTION



### BOTTOM BAR

