

ENTRYDEFENDER™ DOOR

Model PED0101 (05, 15, 60)

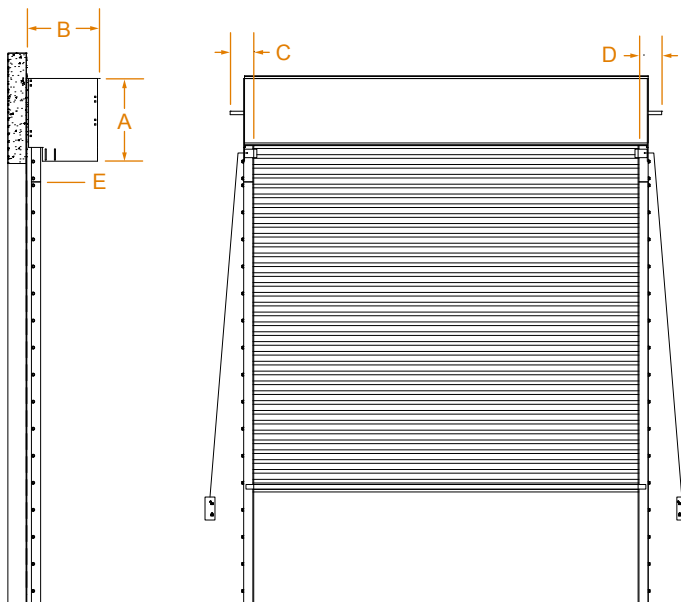


MEASURE THE HEIGHT AND WIDTH OF THE OPENING

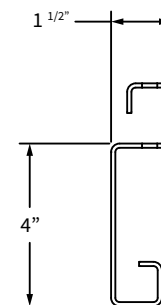
COMPONENT DIMENSIONS

3'	19"	19"	9 5/8" to 11"	6 5/8" to 8"	14" to 15"			
4'	20"	20"						
5'	21"	21"						
6'	22"	22"						
7'	22"	22"						
8'	23"	23"						
9'	24"	24"						
10'	24"	24"						
11'	25"	25"						
12'	26"	26"						
13'	26"	26"						
14'	28"	28"						
15'	29"	29"						
16'	29"	29"						
Opening Height (feet)	A	B				C (Operator)	D (Adjustor)	E

The maximum size available will vary slightly based on the wall construction. If the wall construction is steel, the maximum size is 13' 11 1/4" wide by 16' high. If the wall construction is concrete, the maximum size is 13' 8 3/4" wide by 16' high.



SLAT CROSS-SECTION



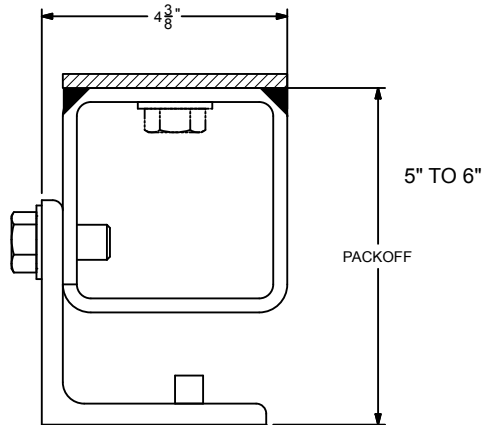
The details and dimensions on this sheet are provided as a rough guide for planning purposes. Project specific details and dimensions are available by generating drawings from our website: www.cornelliron.com/drawings

GUIDE CONSTRUCTION OPTIONS

PLEASE NOTE:
No certified rolling door
can be mounted to
hollow or filled CMU.

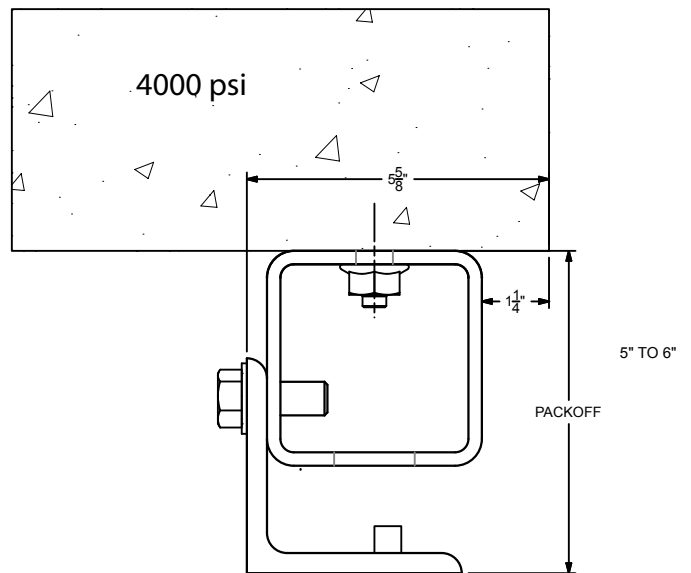
E GUIDE

Typically used with steel jambs with a minimum yield strength of 36 ksi.



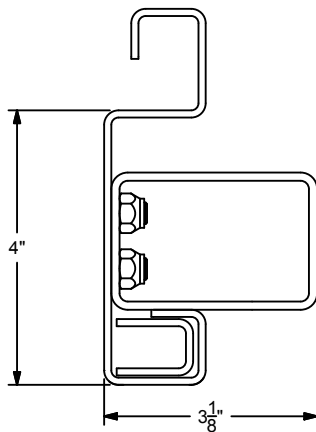
E GUIDE

Typically used with a concrete wall construction that is a minimum thickness of 8".



BOTTOM BAR

Heavy duty 12 gauge bottom bar with an 11 gauge reinforcement tube.



The details and dimensions on this sheet are provided as a rough guide for planning purposes. Project specific details and dimensions are available by generating drawings from our website: www.cornelliron.com/drawings

CUSTOM-DESIGNED SOLUTIONS

Our experienced Architectural Design Support Team can customize our products to fit your specific application. Call 800.233.8366 ext. 4551 • architecturaldesignsupport@cornellcookson.com