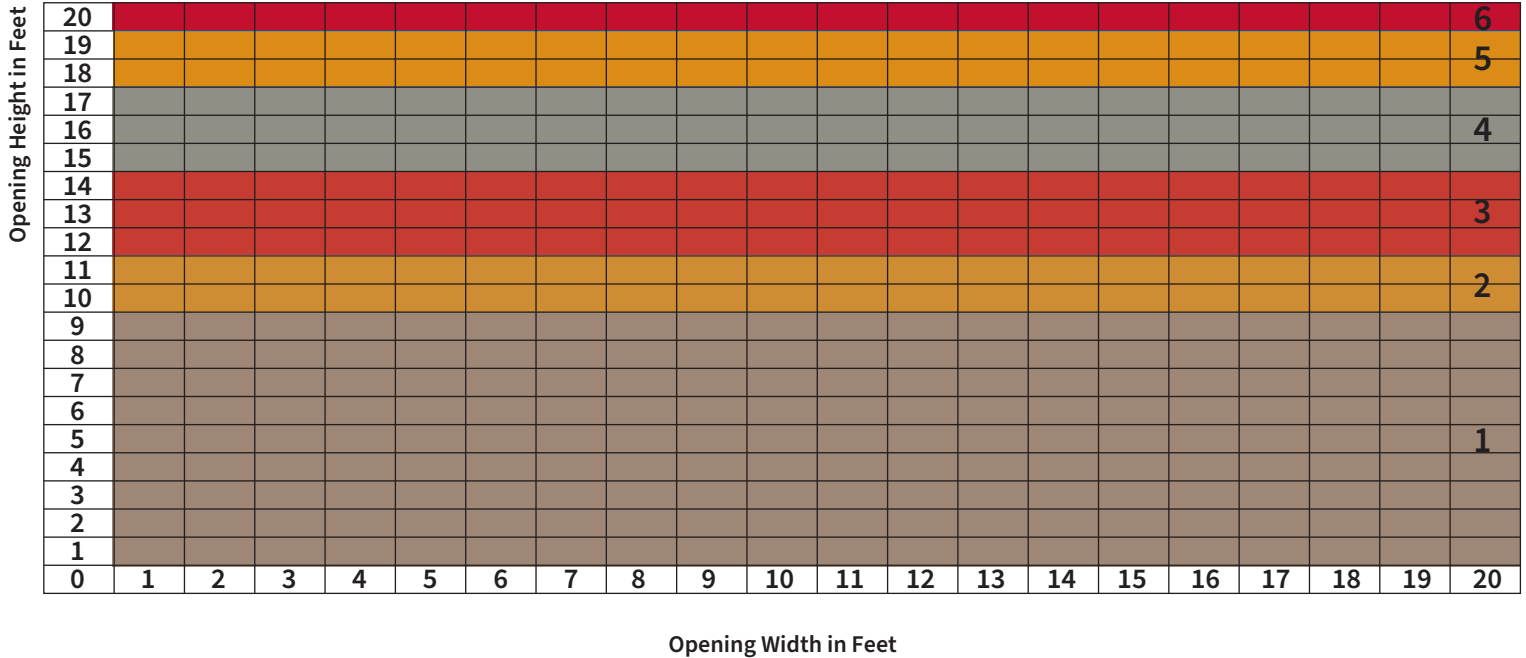


CROSSINGGARD® DOOR WITH THREATPROTECT™

Model ERD-TP

MEASURE THE WIDTH AND HEIGHT OF THE OPENING

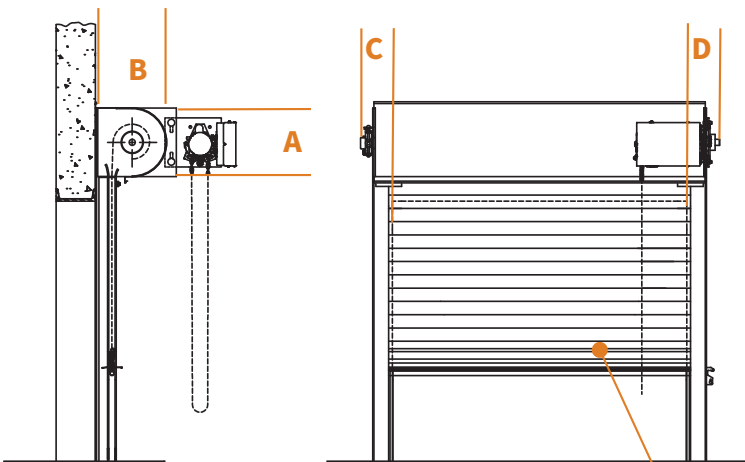
SERVICE DOOR SIZE AND AREA



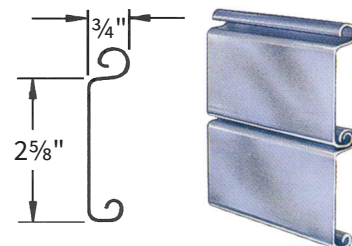
COMPONENT DIMENSIONS

Dimensions in Inches	Zone			
	A	B	C	D
6	19	21	10	7
5	18	20	10	7
4	17	19	10	7
3	16	18	10	7
2	15	17	10	7
1	14	16	9	6

Reference the zone number to view component dimensions for motorized doors.



CURTAIN SLAT DESIGN



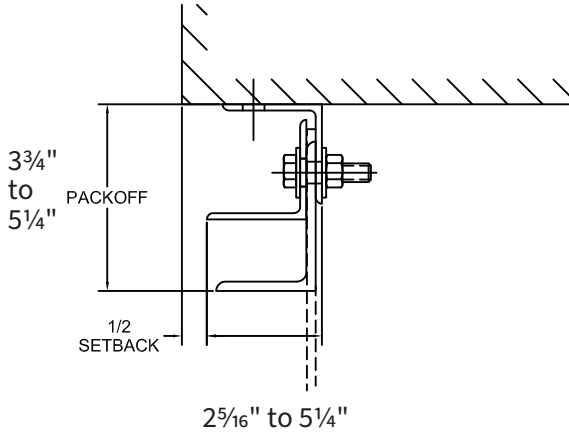
The dimensions featured on this sheet are provided as a guide. Please visit our website at www.cornelliron.com/drawings to generate drawings on demand with exact dimensions.

GUIDE CONSTRUCTION OPTIONS

FACE OF WALL

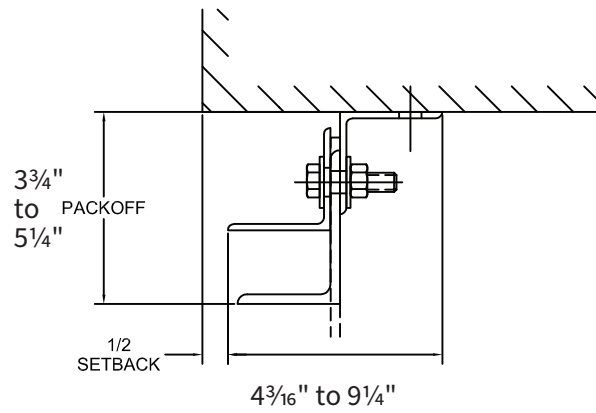
E GUIDE

Typically used with steel jamb



Z GUIDE

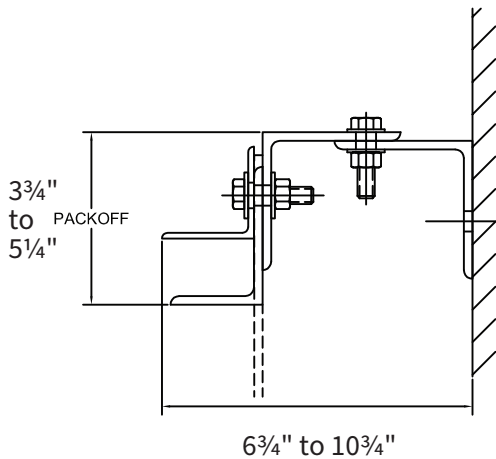
Typically used with masonry wall construction



BETWEEN JAMBS

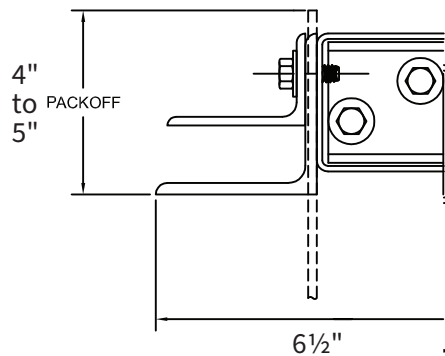
4 ANGLE

Most common for doors with chain/crank/motor operation



2 ANGLE - TUBES

Typically used if there's no wall support, or tubes and guides need to be recessed within the wall construction



Remember, three main factors when choosing a guide assembly are:

1. Wall construction
2. Operation
3. Side clearance

The dimensions featured on this sheet are provided as a guide. Please visit our website at www.cornelliron.com/drawings to generate drawings on demand with exact dimensions.

CUSTOM-DESIGNED SOLUTIONS

Our experienced Architectural Design Support Team can customize our products to fit your specific application.

Call 800.233.8366 ext. 4551 • architecturaldesignsupport@cornellcookson.com