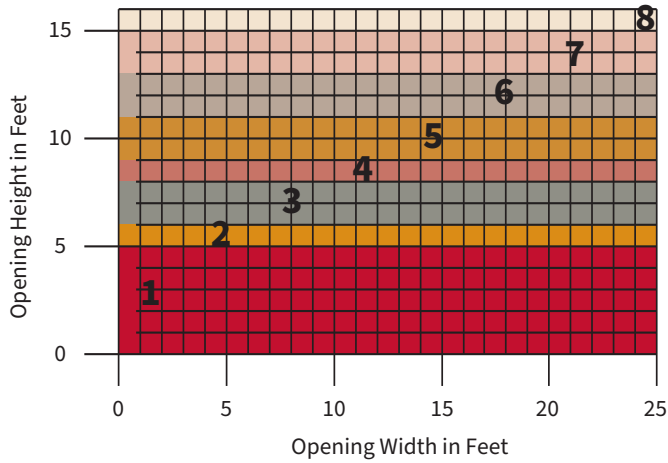


# CORROSION RESISTANT INSULATED DOOR

Model ESD20CR

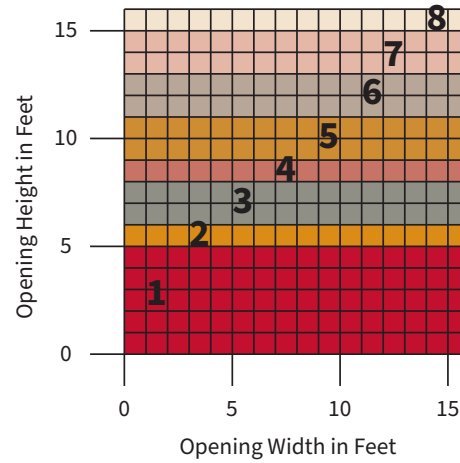
## MEASURE THE WIDTH AND HEIGHT OF THE OPENING

STAINLESS STEEL

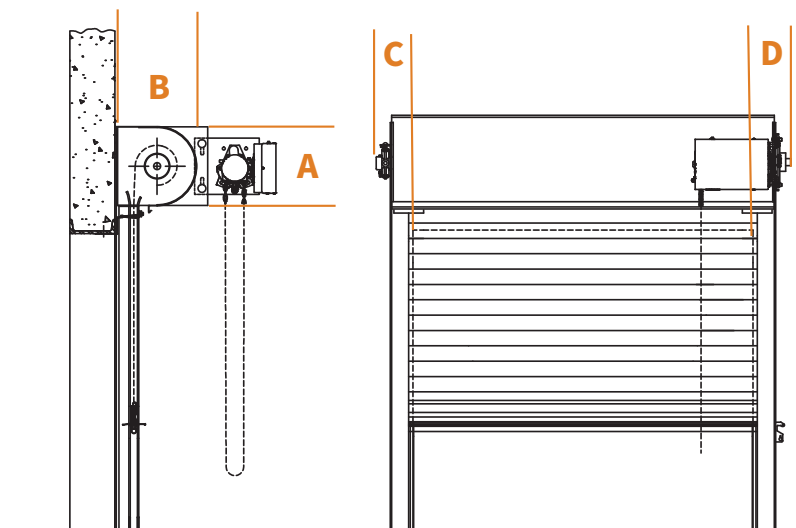


Dimensions in Inches	1	15	17	8	8
	2	16	18	8	8
	3	17	19	8	8
	4	18	20	8	8
	5	19	21	8	8
	6	20	22	8	8
	7	21	23	8	8
	8	22	24	8	8
	Zone	A	B	C	D

ALUMINUM



Dimensions in Inches	1	15	17	7	7
	2	16	18	7	7
	3	17	19	7	7
	4	18	20	7	7
	5	19	21	7	7
	6	20	22	7	7
	7	21	23	7	7
	8	22	24	7	7
	Zone	A	B	C	D

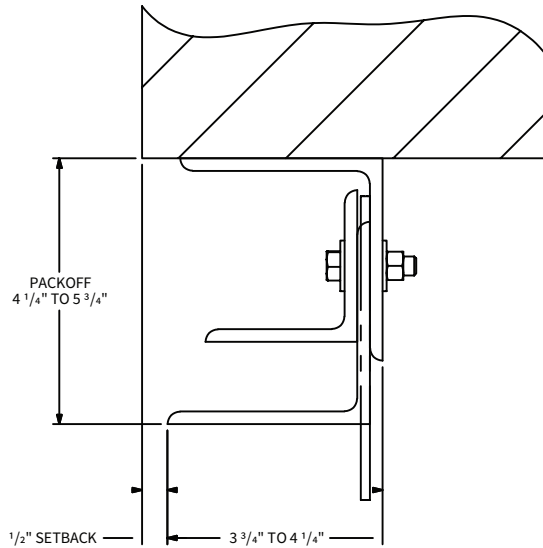


The dimensions featured on this sheet are provided as a guide. Please visit our website at [www.cornelliron.com/drawings](http://www.cornelliron.com/drawings) to generate drawings on demand with exact dimensions.

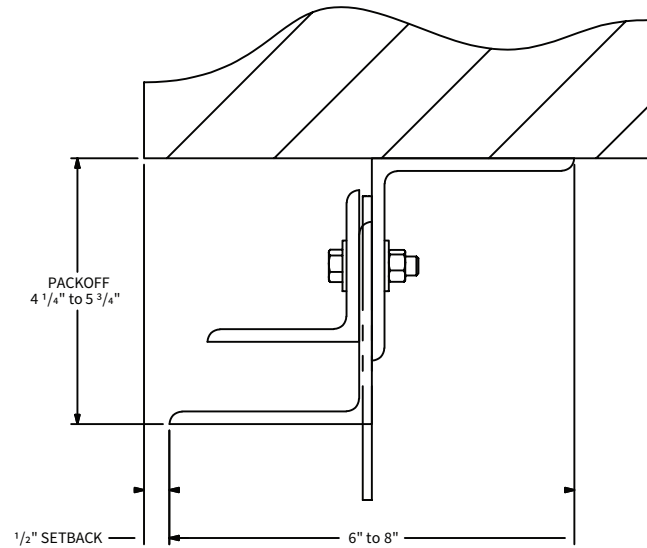
# INSULATED ROLLING DOOR **CORROSION RESISTANT INSULATED DOOR Model ESD20CR**

## GUIDE CONSTRUCTION OPTIONS

### E-GUIDE

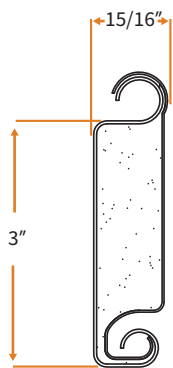


### Z-GUIDE

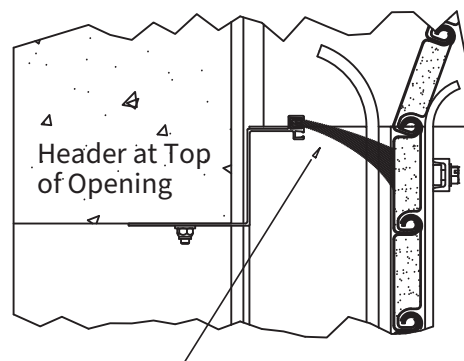


### CURTAIN DESIGN

Insulated Slat



### LINTEL SEAL BRUSH



Single Lintel Seal Brush Contacting the Door Curtain

R Value of 8.0

U Value of .125

Calculated using the  
ASHRAE Handbook of  
Fundamentals

The dimensions featured on this sheet are provided as a guide. Please visit our website at [www.cornelliron.com/drawings](http://www.cornelliron.com/drawings) to generate drawings on demand with exact dimensions.

## CUSTOM-DESIGNED SOLUTIONS

Our experienced Architectural Design Support Team can customize our products to fit your specific application. Call 800.233.8366 ext. 4551 • [architecturaldesignsupport@cornellcookson.com](mailto:architecturaldesignsupport@cornellcookson.com)

800.233.8366 | [cornelliron.com](http://cornelliron.com)

CornellCookson, Inc. is an ISO 9001:2015 registered company  
05.2025

**CORNELL**  
Innovative door solutions<sup>®</sup>