

OPERATIONAL WIND LOADED DOOR

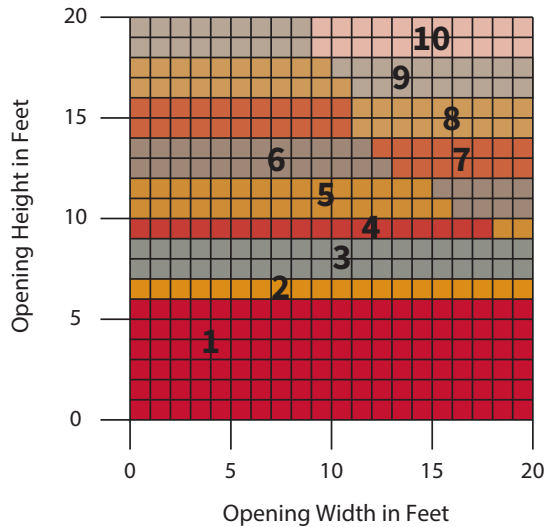
WIND-MASTER® INSULATED DOOR

Model ESD20W

MEASURE THE WIDTH AND HEIGHT OF THE OPENING

Wind-Master Insulated Doors meet an operational wind load of 20 PSF.

DOOR SIZE AND AREA



Dimensions provided are for a steel curtain, dimensions will differ for this model with a stainless steel curtain.

COMPONENT DIMENSIONS

Reference the zone number to view component dimensions for motorized doors.

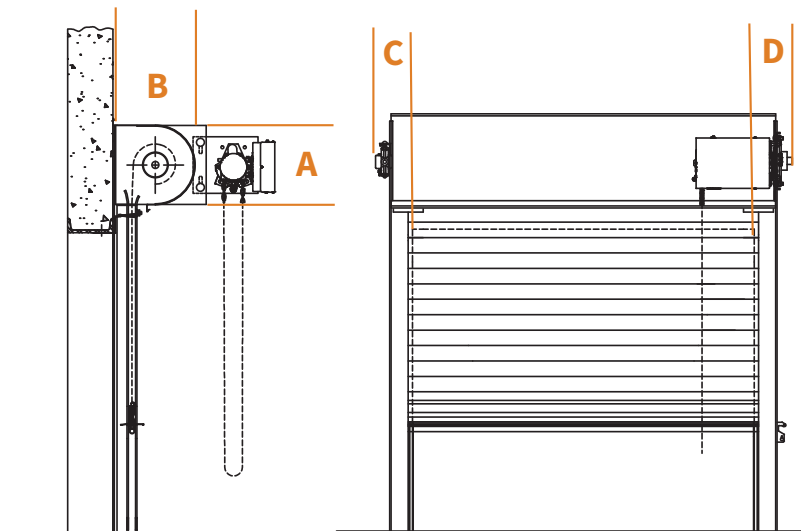
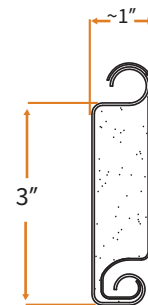
1	16	18	11	9
2	17	19	11	9
3	18	20	11	9
4	19	21	12	10
5	20	22	12	10
6	21	23	12	10
7	22	24	12	10
8	23	25	12	10
9	24	26	12	10
10	25	27	12	10

Dimensions in Inches

Zone A B C D

The dimensions featured on this sheet are provided as a guide. Please visit our website at www.cornelliron.com/drawings to generate drawings on demand with exact dimensions.

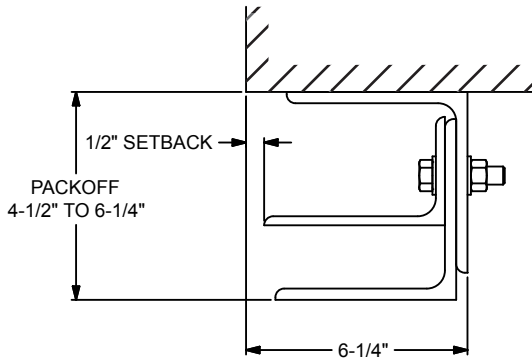
CURTAIN SLAT DESIGN



GUIDE CONSTRUCTION OPTIONS

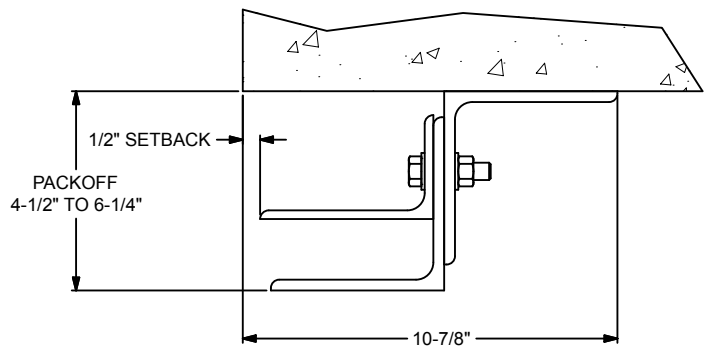
FACE OF WALL E

Typically used with steel jambs, guides are mounted to the interior side of the wall.



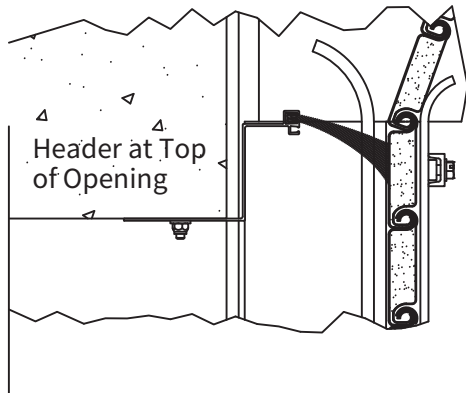
FACE OF WALL Z

Typically used with masonry wall construction, guides are mounted to the interior side of the wall.



LINTEL SEAL BRUSH

Single Lintel Seal Brush Contacting the Door Curtain



The Sound Transmission Class (STC) rating is up to 17 for the entire assembly. Evaluated per ASTM E90, based on testing a complete, operable assembly.

Gauge	STC Rating
18/24	17

R Value of 8.0

U Value of .125

Calculated using the ASHRAE Handbook of Fundamentals

The details and dimensions on this sheet are provided as a rough guide for planning purposes. Project specific details and dimensions are available by generating drawings from our website: www.cornelliron.com/drawings

CUSTOM-DESIGNED SOLUTIONS

Our experienced Architectural Design Support Team can customize our products to fit your specific application. Call 800.233.8366 ext. 4551 • architecturaldesignsupport@cornellcookson.com