

OPERATIONAL WIND LOADED DOOR

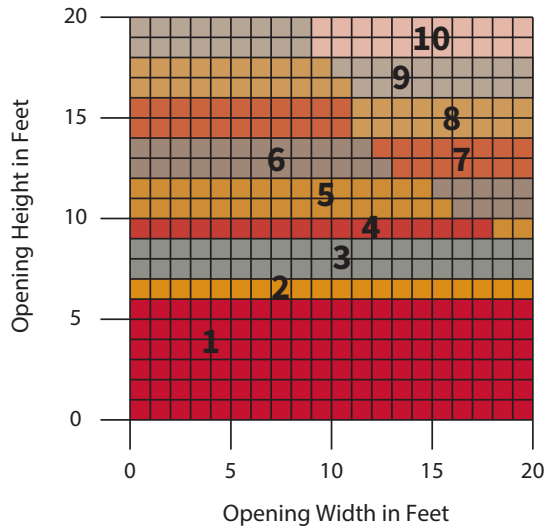
WIND-MASTER[®] INSULATED DOOR

Model ESD20W

MEASURE THE WIDTH AND HEIGHT OF THE OPENING

Wind-Master Insulated Doors meet an operational wind load of 20 PSF.

DOOR SIZE AND AREA



Dimensions provided are for a steel curtain, dimensions will differ for this model with a stainless steel curtain.

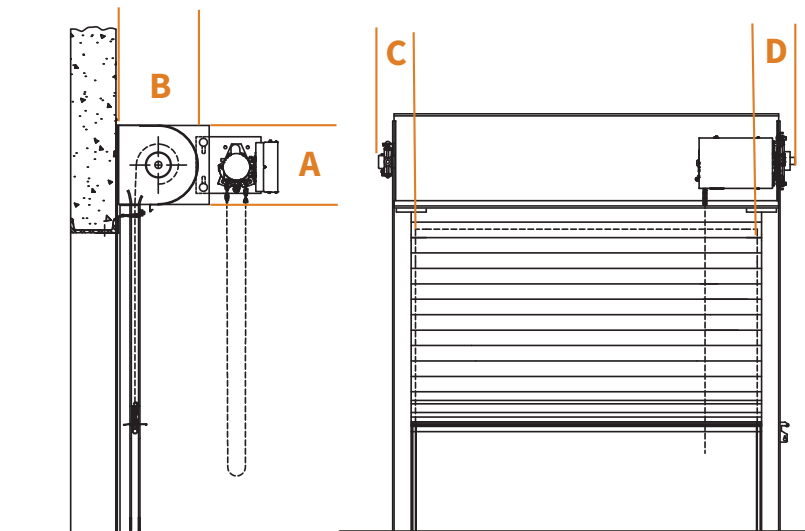
COMPONENT DIMENSIONS

Reference the zone number to view component dimensions for motorized doors.

1	16	18	11	9
2	17	19	11	9
3	18	20	11	9
4	19	21	12	10
5	20	22	12	10
6	21	23	12	10
7	22	24	12	10
8	23	25	12	10
9	24	26	12	10
10	25	27	12	10

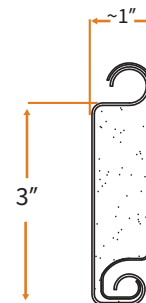
Dimensions in Inches

Zone A B C D



The dimensions featured on this sheet are provided as a guide. Please visit our website at www.cornelliron.com/drawings to generate drawings on demand with exact dimensions.

CURTAIN SLAT DESIGN

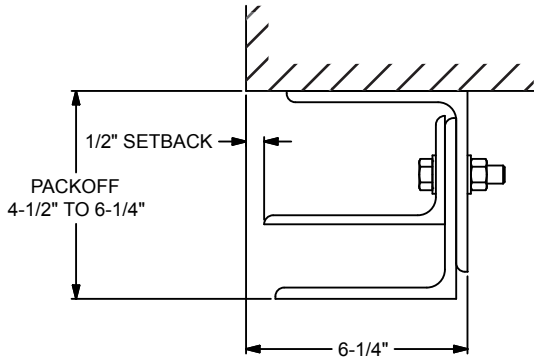


OPERATIONAL WIND LOADED DOOR **WIND-MASTER® INSULATED DOOR Model ESD20W**

GUIDE CONSTRUCTION OPTIONS

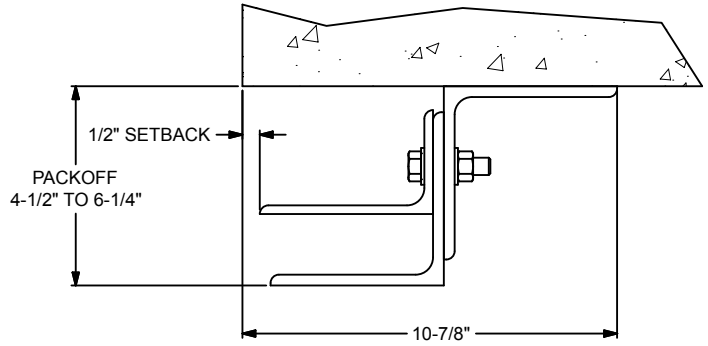
FACE OF WALL E

Typically used with steel jambs, guides are mounted to the interior side of the wall.



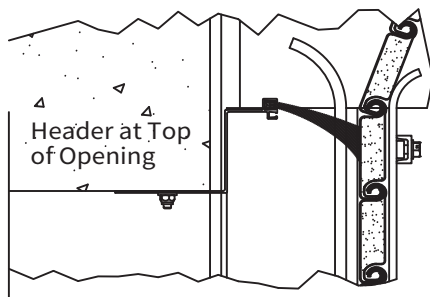
FACE OF WALL Z

Typically used with masonry wall construction, guides are mounted to the interior side of the wall.

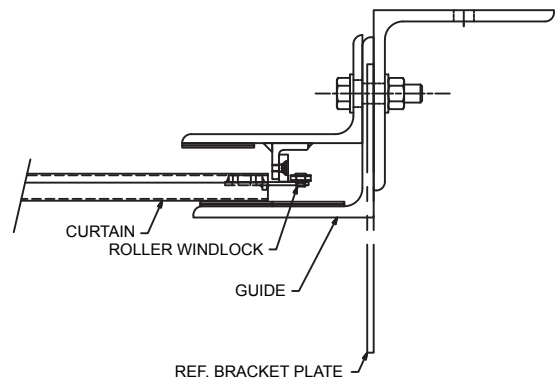


LINTEL SEAL BRUSH

Single Lintel Seal Brush Contacting the Door Curtain



ROLLER WIND-LOCK IN GUIDE



The Sound Transmission Class (STC) rating is up to 17 for the entire assembly. Evaluated per ASTM E90, based on testing a complete, operable assembly.

Gauge	STC Rating
18/24	17

R Value of 8.0

U Value of .125

Calculated using the ASHRAE Handbook of Fundamentals

The details and dimensions on this sheet are provided as a rough guide for planning purposes. Project specific details and dimensions are available by generating drawings from our website: www.cornelliron.com/drawings

CUSTOM-DESIGNED SOLUTIONS

Our experienced Architectural Design Support Team can customize our products to fit your specific application.

☎ 877.537.4567 ✉ arch@cornellcookson.com