

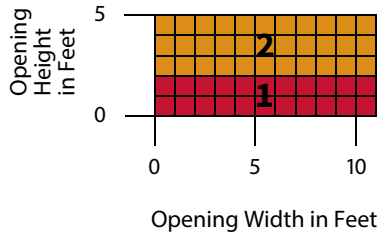
ROLLING COUNTER DOOR

ROLLING COUNTER DOOR

Model ESC20 (integral frame)

MEASURE THE WIDTH AND HEIGHT OF THE OPENING

DOOR SIZE AND AREA

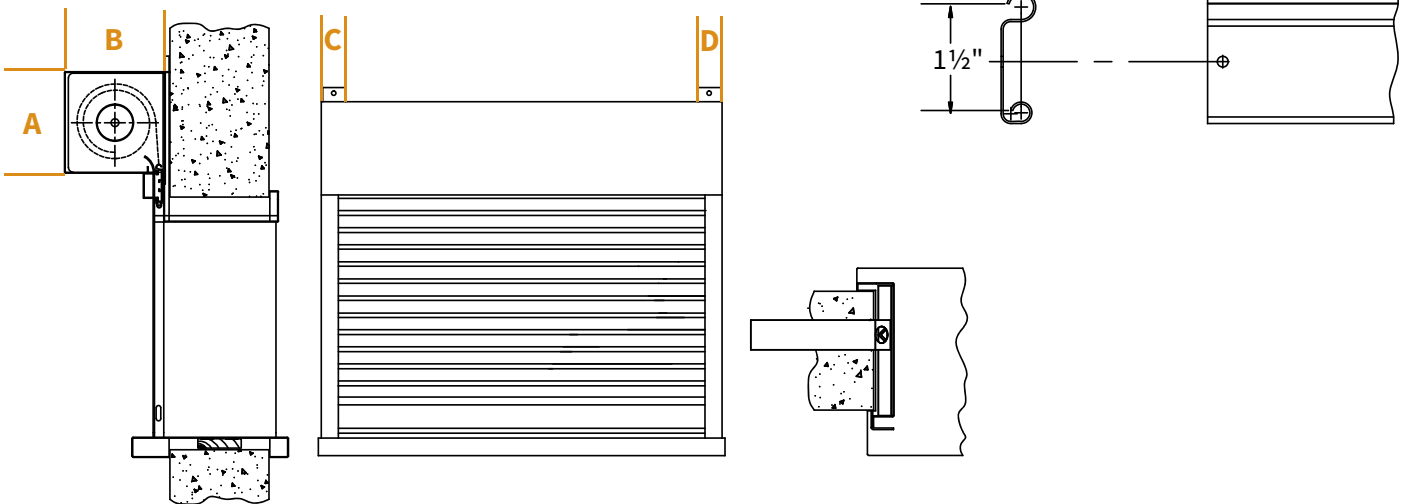


COMPONENT DIMENSIONS

Reference the zone number to view component dimensions for motorized doors.

Dimensions in Inches	1	7.75	8	0	0
	2	9.75	10	0	0
	Zone A	B	C	D	

SLAT CROSS SECTION



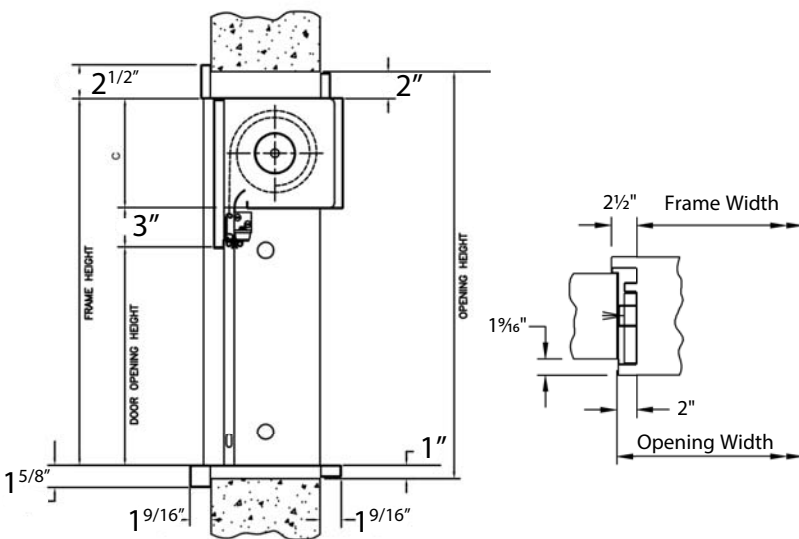
The dimensions featured on this sheet are provided as a guide. Please visit our website at www.cornelliron.com/drawings to generate drawings on demand with exact dimensions.

GUIDE CONSTRUCTION OPTIONS

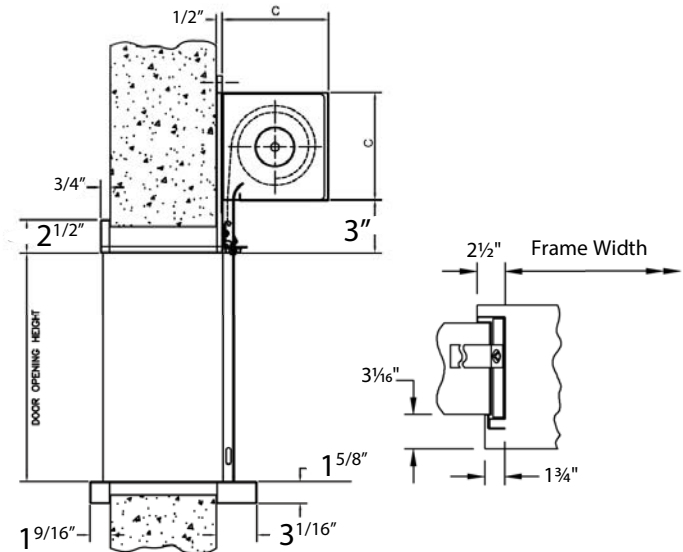
FACE OF WALL UNIT



BETWEEN JAMBS UNIT (SLIP IN)



FACE MOUNTED (BUILT IN)



CLEARANCES

H (CLEAR OPENING HEIGHT) C

Up to 2'6" inclusive	8"
Over 2'6" to 4' 10"	10"

The dimensions featured on this sheet are provided as a guide. Please visit our website at www.cornelliron.com/drawings to generate drawings on demand with exact dimensions.

CUSTOM-DESIGNED SOLUTIONS

Our experienced Architectural Design Support Team can customize our products to fit your specific application. Call 800.233.8366 ext. 4551 • ads@cornelliron.com