

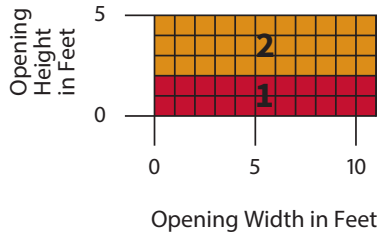
ROLLING COUNTER DOOR

# ROLLING SHUTTER

Model ESC20 (integral frame)

## MEASURE THE WIDTH AND HEIGHT OF THE OPENING

### DOOR SIZE AND AREA

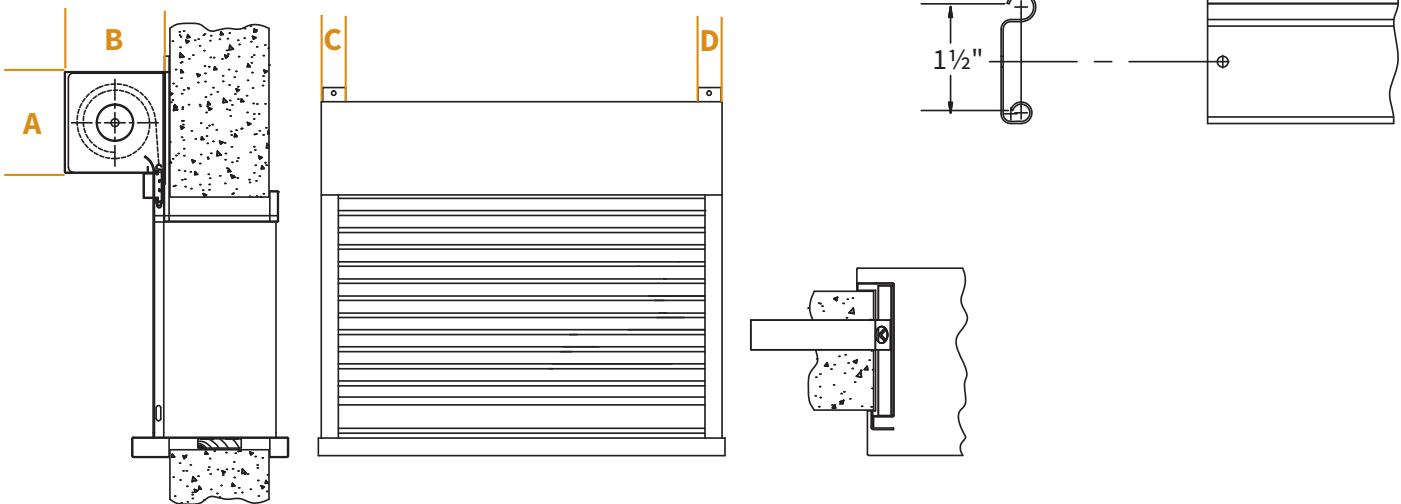


### COMPONENT DIMENSIONS

Reference the zone number to view component dimensions for motorized doors.

Dimensions in Inches	1	7.75	8	0	0
	2	9.75	10	0	0
	Zone A	B	C	D	

### SLAT CROSS SECTION



The dimensions featured on this sheet are provided as a guide. Please visit our website at [www.cornelliron.com/drawings](http://www.cornelliron.com/drawings) to generate drawings on demand with exact dimensions.

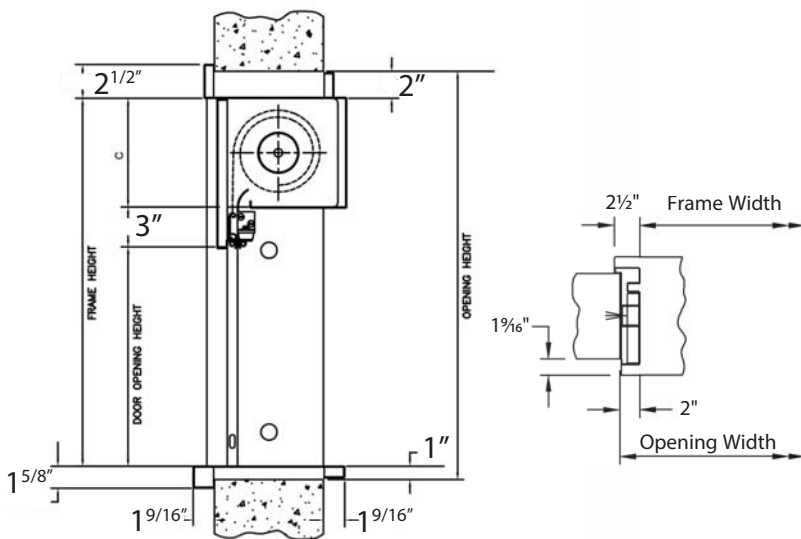
# ROLLING COUNTER DOOR **ROLLING SHUTTER Model ESC20**

## GUIDE CONSTRUCTION OPTIONS

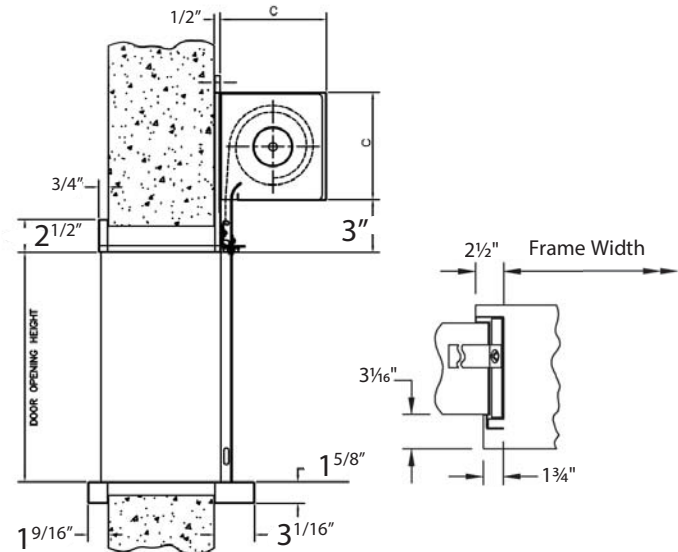
### FACE OF WALL UNIT



### BETWEEN JAMBS UNIT (SLIP IN)



### FACE MOUNTED (BUILT IN)



## CLEARANCES

H (CLEAR OPENING HEIGHT)      C

Up to 2'6" inclusive	8"
Over 2'6" to 4' 10"	10"

The dimensions featured on this sheet are provided as a guide. Please visit our website at [www.cornelliron.com/drawings](http://www.cornelliron.com/drawings) to generate drawings on demand with exact dimensions.

## CUSTOM-DESIGNED SOLUTIONS

Our experienced Architectural Design Support Team can customize our products to fit your specific application. Call 800.233.8366 ext. 4551 • [ads@cornelliron.com](mailto:ads@cornelliron.com)