

HIGH PERFORMANCE LINE

EXTREME® 300 SERIES PERFORMANCE DOORS

Direct Drive Door Operator with Apex™ SmartController

The motor and advanced control system shipped with each door is specifically designed for reliability and longevity when used as a rolling steel door operator. The hollow shaft motor unit features a direct drive gear reducer, emergency hand chain and a high efficiency motor and solenoid brake.

The advanced control system is a solid state, microprocessor-based control system. It represents the latest in rolling steel door drive technology and has been configured and set-up exclusively for each door.

SPECIFICATIONS

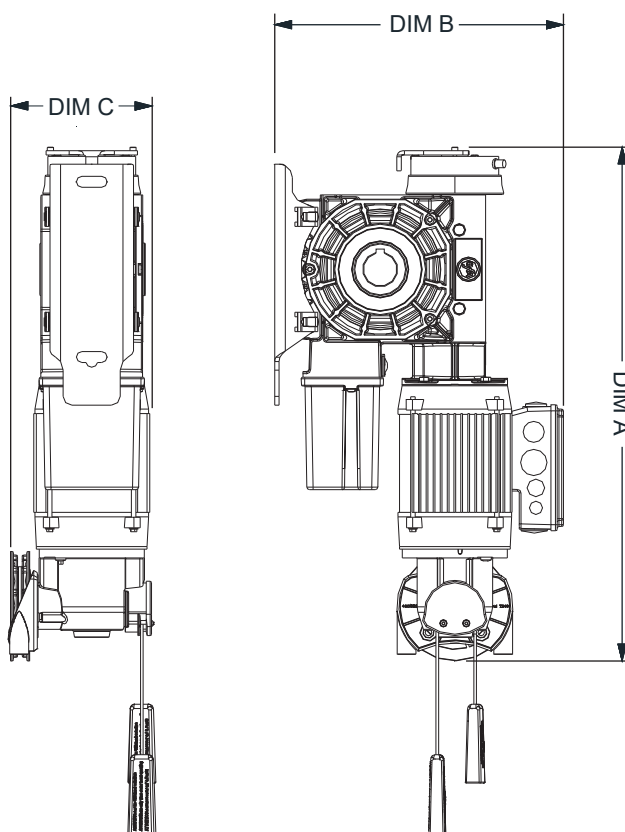
| | |
|---|--|
| Drive System | Hollow shaft worm gear with integral anti-fallback device, emergency manual operation, integrated absolute encoder, and electric motor |
| Operation | Soft Stop and Soft Start |
| Control | Advanced logic PCB control, with variable frequency drive |
| Voltage | 208-230/1/60** 208-230/3/60 460/3/60 |
| NEMA Rating | NEMA 4/4X, 12" x 24" x 8" enclosure standard - Flexible conduit provided with "plug & play" electrical connectors for Motor and Control Panel interconnection |
| Cycle Rating | 300,000 or 2 Years |
| Obstruction Detection | PNP type, NC photo eye and Relay type light curtain are standard; motion detectors and additional photo eyes are available as options. |
| 24 VDC Outputs | A 24VDC, 1A output is allotted for connection to the standard accessories. This output is available through several output terminals on the board, but the total current draw of all the devices connected should not exceed 1A. |
| Auxiliary Outputs | The Auxiliary output contacts are not intended to be used to route power supply voltages to other components. They are rated as switching contacts for control voltages only. Total current should not exceed 200mA. |
| ** Single phase available up to 2HP only. | |

HIGH PERFORMANCE LINE **EXTREME® 300 SERIES PERFORMANCE DOORS**

Direct Drive Door Operator with Apex™ SmartController

DRIVE UNIT

| H.P. | Weight (lbs) | MOTOR DIMENSIONS (In) | | |
|-------|--------------|-----------------------|--------|-------|
| | | DIM A | DIM B | DIM C |
| 1 | 79 | 23.091 | 12.933 | 6.498 |
| 2 | 115 | 25.138 | 13.445 | 6.988 |
| 3-1/3 | 130 | 29.661 | 15.217 | 6.413 |



| Volt | Phase | 1HP | 2HP | 3.33HP |
|------|-------|-----|-----|--------|
| 230 | 1 | 6.3 | 7.7 | NA |
| 230 | 3 | 6.3 | 7.7 | 13.3 |
| 460 | 3 | 3.5 | 4.5 | 8.3 |
| 575 | 3 | 3.5 | 4.5 | 8.3 |