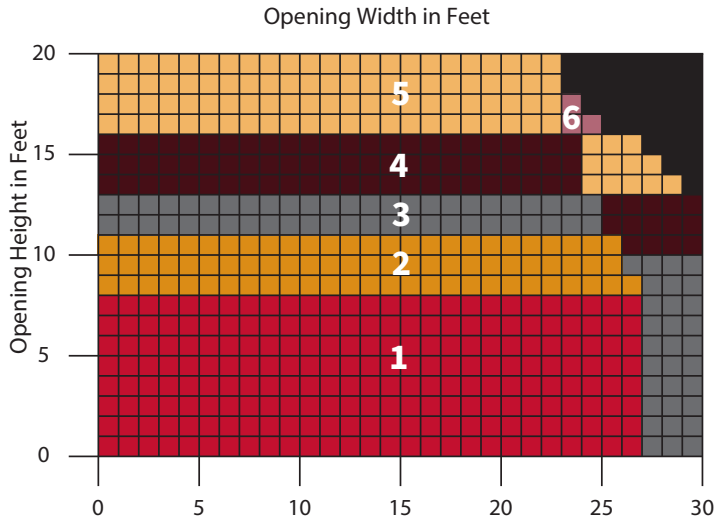


EXTREME® 1024 HIGH PERFORMANCE DOORS

Models EPD1024 and EPI1024 (insulated)

MEASURE THE WIDTH AND HEIGHT OF THE OPENING

NON-INSULATED DOOR SIZE AND AREA



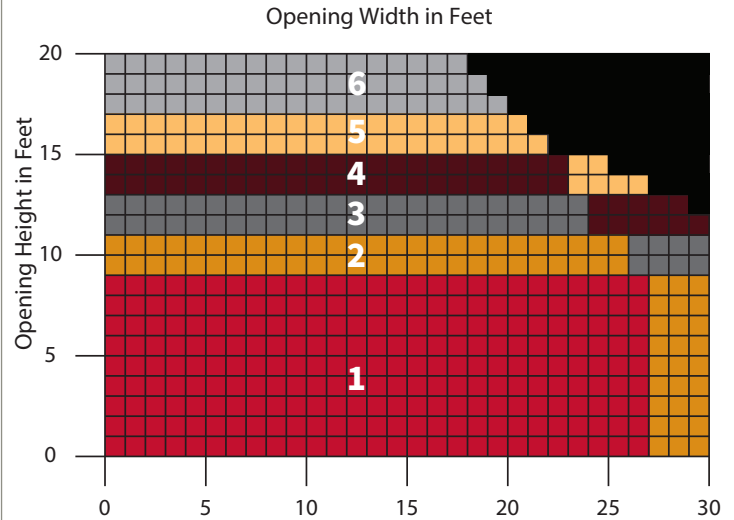
COMPONENT DIMENSIONS

Reference the zone number to view component dimensions.

Zone	A	B	C	D
1	19	19	9	14
2	20	20	9	14
3	21	21	9	15
4	22	22	9	15
5	23	23	9	16
6	24	24	9	16

Dimensions in Inches

INSULATED DOOR SIZE AND AREA

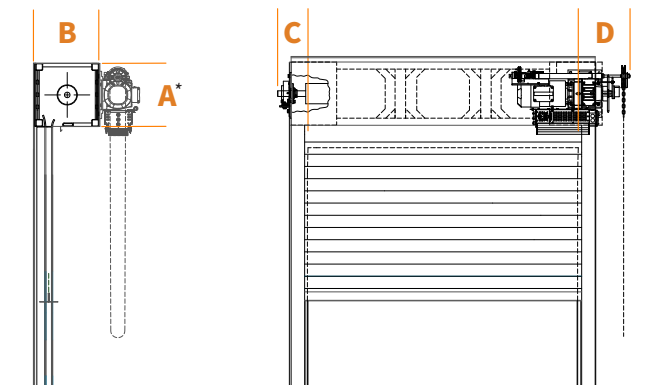


COMPONENT DIMENSIONS

Reference the zone number to view component dimensions.

Zone	A	B	C	D
1	20	21	10	14
2	22	23	10	14
3	24	25	10	15
4	26	27	10	15
5	27	27	9	16
6	28	28	9	16

Dimensions in Inches



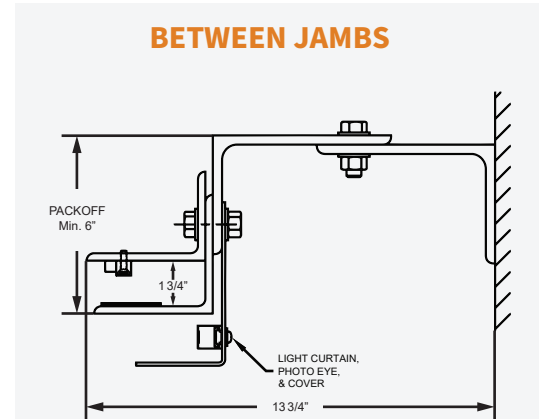
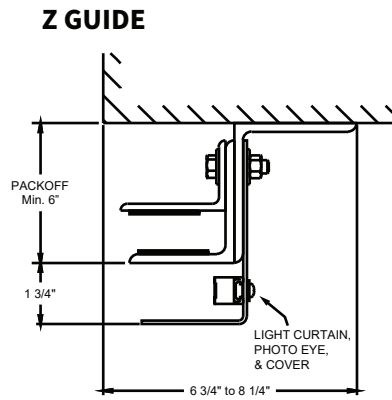
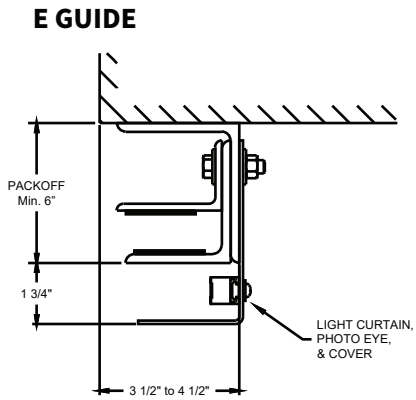
The dimensions featured on this sheet are provided as a guide. Please visit our website at www.cooksondoor.com/drawings to generate drawings on demand with exact dimensions.

*On smaller coil doors, the operator may exceed the bottom of dimension A. This will not interfere with the door opening.

HIGH PERFORMANCE LINE **EXTREME® 1024 HIGH PERFORMANCE DOORS**
 Models EPD1024 and EPI1024 (insulated)

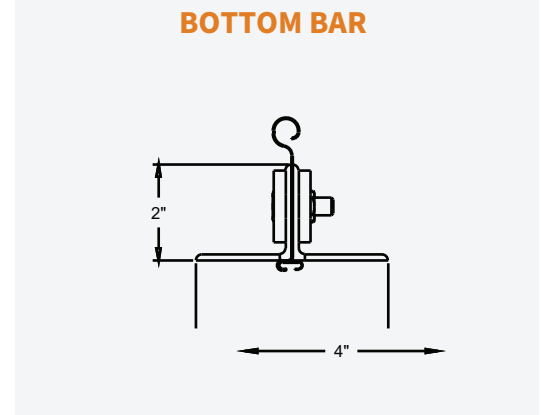
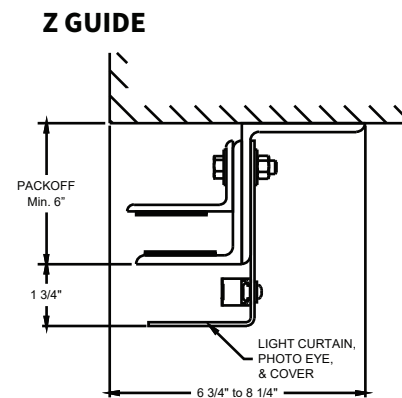
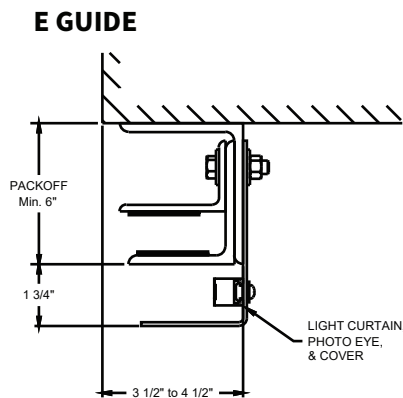
GUIDE CONSTRUCTION OPTIONS

SERVICE DOOR



See factory for sizes. May be subject to additional lead times.

INSULATED DOOR



The dimensions featured on this sheet are provided as a guide. Please visit our website at www.cooksondoor.com/drawings to generate drawings on demand with exact dimensions.

CUSTOM-DESIGNED SOLUTIONS

Our experienced Architectural Design Support Team can customize our products to fit your specific application. Call 800.233.8366 ext. 4551 • architecturaldesignsupport@cornellcookson.com