

# SG OPERATOR

## DESIGNED FOR CONTINUOUS USE

### SUPER-DUTY GEAR-HEAD OPERATORS

#### Standard Features and Benefits

- Compact operator/mounting configuration is ideal for coiling doors - operators always fit within the coil height dimension
- Consistent mounting, appearance and wiring - across full line of operator models
- Considerably lighter weight than competitive gear-head operator models
- Auxiliary chain for emergency operation, just pull to operate
- UL Listed
- Programmable seven segment LED display
- Cycle counter
- Terminal connection for a monitored entrapment protection device
- Programmable timer to close
- Mid-open timer dry contact open warning timer
- Open warning timer (dry contact only)
- Onboard open and close limit signaling connections
- 24 VDC warning output signal when the door is moving
- On board Open/Close/Stop buttons
- Close override if the entrapment protection device short circuits

#### Option:

- Module for secondary monitored entrapment protection device

#### Standard Components

**Drive Reduction:** Lubricated, heavy-duty gears.

**Auto-Reset Thermal Protection:** Prevents motor burnout.

**Limit Switches:** Linear driven, fully adjustable screw-type cams.

**Operator Safety Feature:** Activating “Open,” “Stop” or a remote transmitter button stops the movement of a closing door.

**Pre-Wired for Sensing Edge/Sensing Devices:** A sensing edge, photo eyes or other detection devices can be easily connected. Standard one second time delay prior to reversing prevents damage to door and operator.

**Standard Exterior Radio-Control Terminal:** Provides for easy and fast connection of radio controls.

**Brake:** Maintenance free, solenoid actuated brake. No adjustment required for the life of the operator.

**Bearings:** Heavy-duty bearings are used at all rotation points.

**Auxiliary Chain Hoist:** Automatically engages and disengages as hand chain is operated. Cut off switch prevents motor operation when the chain is in use.



**Models**

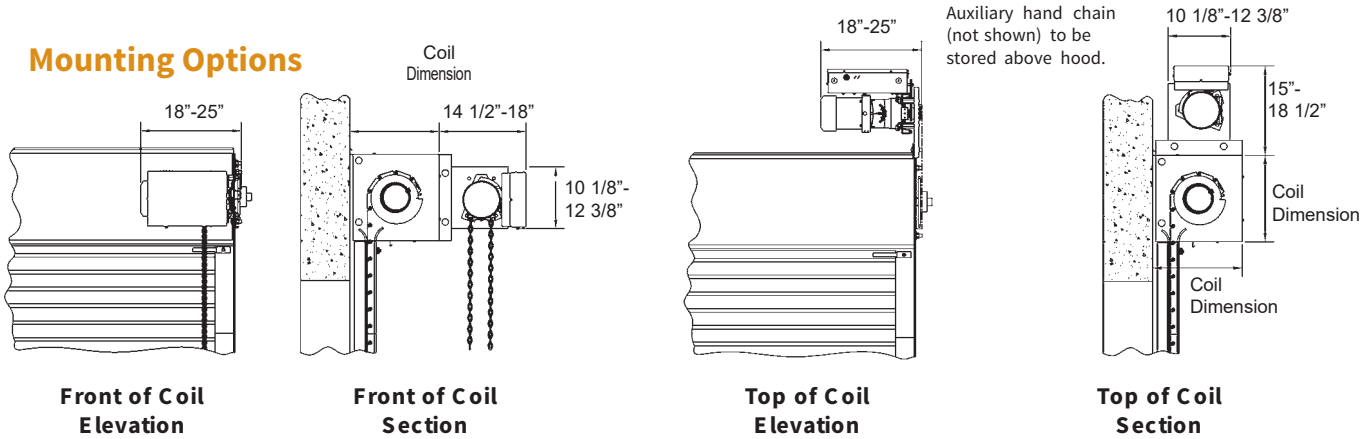
Model	SGH 50	SGH 75	SGH 100	SGH 150	SGH 200
Horsepower	1/2 hp	3/4 hp	1 hp	1 1/2 hp	2 hp
Voltage	115V/230V 460V 575V	115V/230 V 460V 575V	115V/230 V 460V 575V	115V/230V 460V 575V	230V/460V 575V
Phase	1 & 3	1 & 3	1 & 3	1 & 3	3
Frequency	50 Hz* / 60 Hz	50 Hz* / 60 Hz	50 Hz* / 60 Hz	50 Hz* / 60 Hz	50 Hz* / 60 Hz
Duty	Continuous	Continuous	Continuous	Continuous	Continuous
Drive Chain	#50	#50	#60	#60	#80
Auxiliary Hand Chain	Included	Included	Included	Included	Included

**Note:** 3, 5 and 7 1/2 HP operators are available. Contact Cornell for details.

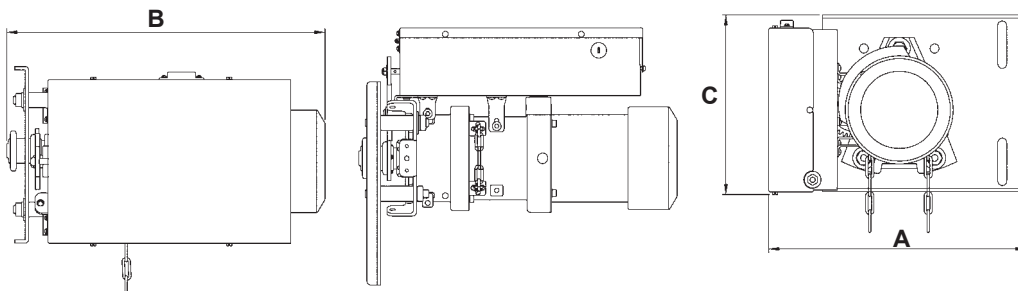
Above products are protected by patent #6,055,885. Other patents are pending.

\* Additional lead time will apply. Please contact factory for details.

**Mounting Options**



**Details and Clearances**



SGH Series			
	A	B	C
1/2 HP	14 1/2"	18"	10 1/8"
3/4 HP	14 1/2"	18 5/8"	10 1/8"
1 HP	14 5/8"	20"	12 3/8"
1 1/2 HP	14 5/8"	20 3/4"	12 3/8"
2 HP	15"	25"	11"