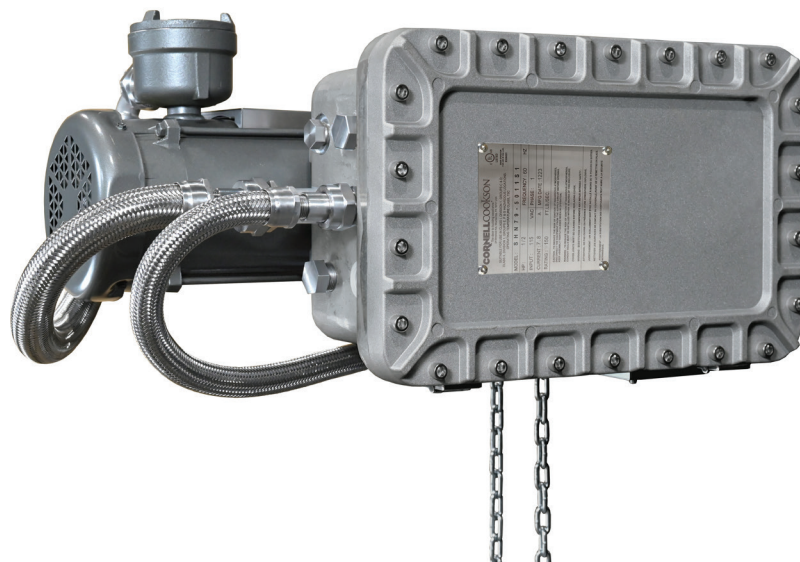


NEMA 7/9 MOTOR OPERATOR

SHN79 / SGN79 Service Door Operator



STANDARD FEATURES AND BENEFITS

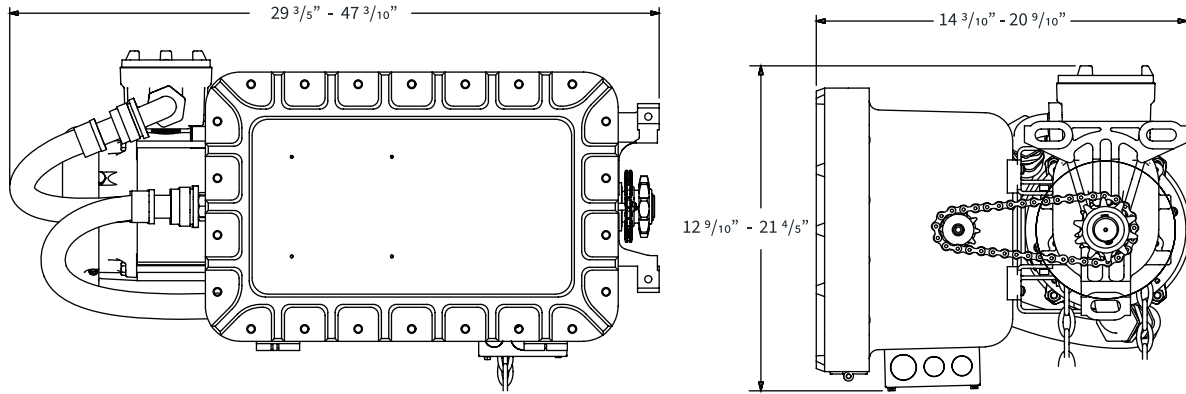
- ▶ Whole product series are listed under UL1203 & UL325 as a complete unit
- ▶ Protection for use in hazardous locations
- ▶ Intrinsically safe circuits allow for usage of a monitored sensing edge (vs a N79) and standard push-button station (vs a N79) and do not require explosion-proof conduit for install
- ▶ Class I, Division 1, Groups C & D
Class II, Division 1, Groups E, F, & G
- ▶ Available for retrofit
- ▶ Sensing edges are provided as standard for primary entrapment protection
- ▶ Our NEMA 7/9 operators do not require additional explosion proof conduit for control station wiring that is required for other manufacturers of NEMA 7/9 operators

STANDARD COMPONENTS

- ▶ Integrated explosion-proof control box
- ▶ Dual isolated circuit design
- ▶ Linear drive system
- ▶ Gear box and solenoid actuated brake
- ▶ Motor and control circuits are pre-wired in the control box
- ▶ Auxiliary chain hoist available in 1/2~2HP

MOTOR OPERATORS **NEMA 7/9 MOTOR OPERATOR SHN79 / SGN79 Service Operator**

MOTOR DIMENSIONS



SHN79 / SGN79 OPERATORS (ALL OPERATOR CONFIGURATIONS HAVE A FREQUENCY OF 50Hz / 60Hz)

Model	SHN79-500	SHN79-750	SHN79-100	SHN79-150	SHN79-200	SGN79-300	SGN79-500	SGN79-750
Horsepower	1/2 hp	3/4 hp	1 hp	1 1/2 hp	2 hp	3 hp	5 hp	7 1/2 hp
Voltage	115 V 230 V* 380 V* 460 V 575 V*	115 V 230 V* 380 V* 460 V 575 V*	115 V* 230 V* 380 V* 460 V* 575 V*	115 V* 230 V* 380 V* 460 V 575 V*	115 V* 230 V* 380 V* 460 V* 575 V*	230 V* 380 V* 460 V* 575 V*	230 V* 380 V* 460 V* 575 V*	230 V* 380 V* 460 V* 575 V*
Phase	1 & 3	1 & 3	1 & 3	1 & 3	1 & 3	3	3	3
Duty	Continuous	Continuous	Continuous	Continuous	Continuous	Continuous	Continuous	20
Auxillary Chain Hoist	Standard	Standard	Standard	Standard	Standard	None	None	None

Approximate weight of operator is 205 lbs. *Additional lead times may apply.