

MOTOR OPERATORS

ALARMGARD®

Fail-Safe Fire Door Operator

STANDARD FEATURES AND BENEFITS

- ▶ Compact size and light weight
- ▶ Directly notified by the fire alarm control panels or local detectors
- ▶ Fail-safe system
- ▶ Eliminates mechanical spring tension loss and complex resetting procedures which allows routine testing to take minutes instead of hours
- ▶ Automatically resets to normal operation upon clearing of the alarm signal and/ or restoration of power
- ▶ Slow and controlled activated closing speed does not exceed 9"-12" per second
- ▶ Automatic open is selectable for a complete system restoration after activation
- ▶ Brake is automatically engaged in the closed position
- ▶ Pre-wired for door moving warning signal
- ▶ 0-10 seconds selectable time delay upon activation
- ▶ Can close and reverse on obstructions up to three times
- ▶ Dramatic cost savings when inspecting and performing drop testing - no manual labor needed
- ▶ Supplemental fusible link activation plunger

**OPTIONS**

- ▶ Operator cover
- ▶ Wall mounted key switch for ease of drop testing

RECOMMENDED APPLICATIONS

- ▶ Where manual testing and resetting is impractical or not desired
- ▶ When fire doors are installed in pedestrian through fares
- ▶ Installations in recessed areas

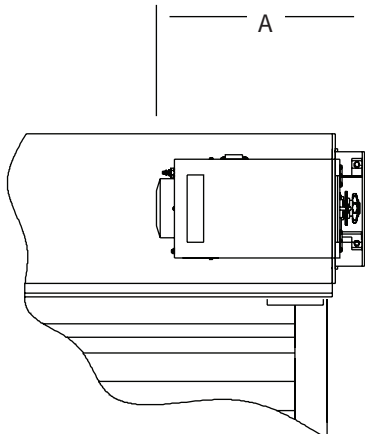
MOTOR OPERATORS **ALARMGARD®** Fail-Safe Fire Door Operator

Model	FS-30 EP	FS-50 EP	FS-70 EP	FS-150 EP
Horsepower	1/3 HP	1/2 HP	3/4 HP	1 1/2 HP
Voltage	115V, 230V, 460V, 575V	115V, 230V, 460V, 575V	115V, 230V, 460V, 575V	115V, 230V, 460V
Phase	1 & 3	1 & 3	1 & 3	1 & 3
Frequency	60Hz	60Hz	60Hz	60Hz
Auxillary Hand Chain	No	No	No	No

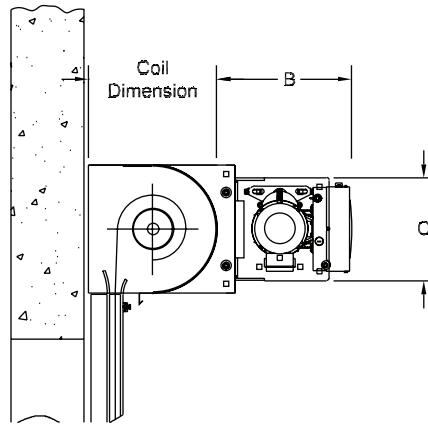
50 Hz and additional 60 Hz configurations are available, but may require an additional lead time. Please contact factory for details.

FIRE DOOR MOUNTING OPTIONS

FRONT OF COIL ELEVATION

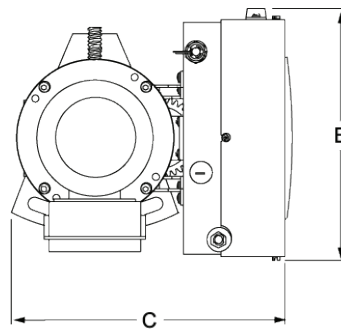
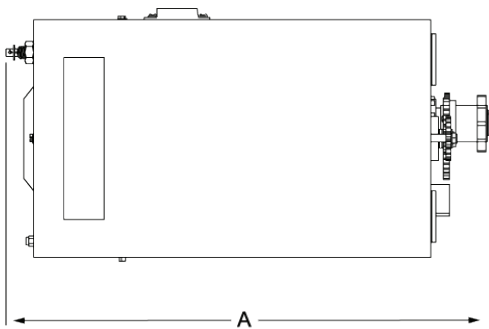


FRONT OF COIL SECTION



	A	B	C
1/3 HP	21.57"	14.50"	10.13"
1/2 HP	21.57"	14.50"	10.13"
3/4 HP	22.74"	14.74"	11.25"
1 1/2 HP	24.44"	16.91"	10.63"

DETAILS AND CLEARANCES



	A	B	C
1/3 HP	18.89"	9.67"	10.69"
1/2 HP	18.89"	9.67"	10.69"
3/4 HP	19.24"	9.67"	11.39"
1 1/2 HP	21.69"	10.63"	13.92"