

HIGH PERFORMANCE LINE

EXTREME[®] RUBBER DOOR

Models EPR-10 and EPR-20



HIGH PERFORMANCE, HIGH SPEED, IMPACTABLE DOORS

OUR DOORS DO THEIR JOB SO YOU CAN TOO

In severe applications, Extreme Rubber Doors deliver maximum up-time and minimal maintenance. This door gives owners and operators the confidence to focus on the job at hand with no more worries about impact issues.

FOR THE ROUGHEST, TOUGHEST STUFF

Durable and reliable, these doors function admirably in the most inhospitable climates: torrential rain, frigid cold, blizzard snow and scorching heat. Whether you're dealing with a high pressure environment, busy traffic conditions, excessive dirt or corrosive factors, this is the solution you've been looking for.

WORKS IN "EXTREME" TEMPERATURES

Withstands head-on impacts and is resistant to abusive environments in temperatures from -40°F to 180°F. Post-impact, the door is up and running in minutes. Features sustainable design and outboard springs.

RELIABLE, CONSISTENT DOOR OPERATION AND IMPACT RELEASE PERFORMANCE

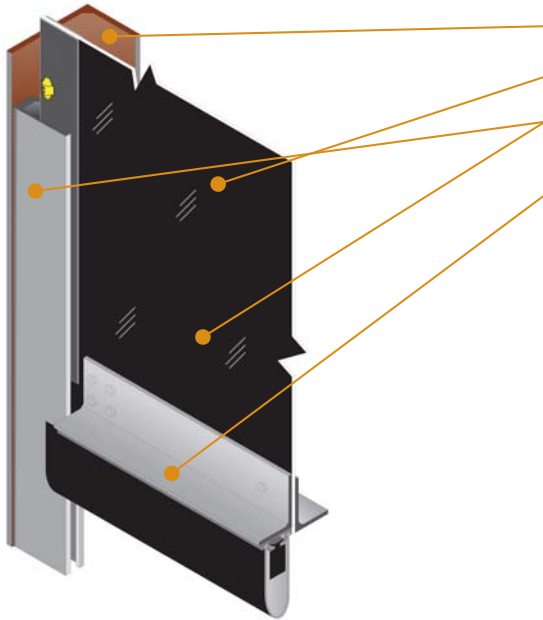
Mechanically fastened CurtainLok™ retention system helps eliminate wear by allowing the curtain to withstand severe winds and impacts from any direction. No hinges, cables, pulleys or curtain guide gap to maintain.

800.233.8366 | cornelliron.com

CornellCookson, Inc. is an ISO 9001:2008 registered company
8.2016

CORNELL
Innovative door solutions[®]

STANDARD COMPONENT MATERIALS AND FINISHES



MOUNTING ANGLE

SBR BLACK RUBBER CURTAIN - Reinforced, flexible polyester core weave

GUIDES AND CURTAIN - Patented one-piece NEWGEN® guide supplied in high-strength aluminum.

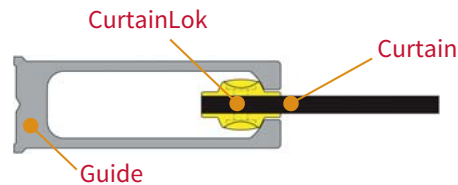
KNOCK-AWAY BOTTOM BAR - Knock-away double angle steel bottom bar with rubber astragal and reversing edge.

FRAME-MOUNTED, THRU-BEAM PHOTO EYE

MOTOR - Dependable and proven heavy-duty drive system configurations.

MODEL EPR-10 - Full line of drive system choices to match size, traffic flow, speed and maintenance factors.

MODEL EPR-20 - Springless cycle duty design for extreme high cycle applications. Accommodates low headroom conditions.



OPERATION

Motor operator configuration requirements

- ▶ Heavy duty gear head (RG) operator or high efficiency helical gear head (HG) operator with multi-function capacity PLC
- ▶ Door speeds to meet your design requirements
- ▶ Options: access controls and specialty functions

OPTIONAL MATERIALS AND FINISHES

- ▶ Colors, windows, hoods, traveling windbar, MSHA-rated self-extinguishing curtains, corrosive resistant curtains, internal springs



CUSTOM-DESIGNED SOLUTIONS

Contact our experienced Architectural Design Support Team for help in customizing our products to fit your specific application. Call 800.233.8366 ext. 4551 • ads@cornelliron.com