

# TRUCYCLE™ SECURITY GRILLE

Models HCESG10 (straight) & HCESG12 (brick)



## ENGINEERED FOR ENDURANCE AND HIGH CYCLE LIFE

### HIGH-CYCLE, LOW-HASSLE PERFORMANCE

Experience continuous operation and maximum cycle life with the TruCycle™ Grille. Built on over a century of innovation, this grille is a smart investment in the efficiency and security of your facility. Specially engineered to handle heavy, continuous traffic, the TruCycle Grille ensures ultra-high cycle capability. Our intelligent design removes traditional springs, delivering low-maintenance reliability and virtually eliminating unexpected downtime.

### CONFIDENCE IS GUARANTEED

To ensure consistent, cycle-to-cycle performance, every TruCycle Door includes a powerful 3-year or 300,000-cycle warranty, whichever comes first.

### EASY & INTUITIVE CONTROL

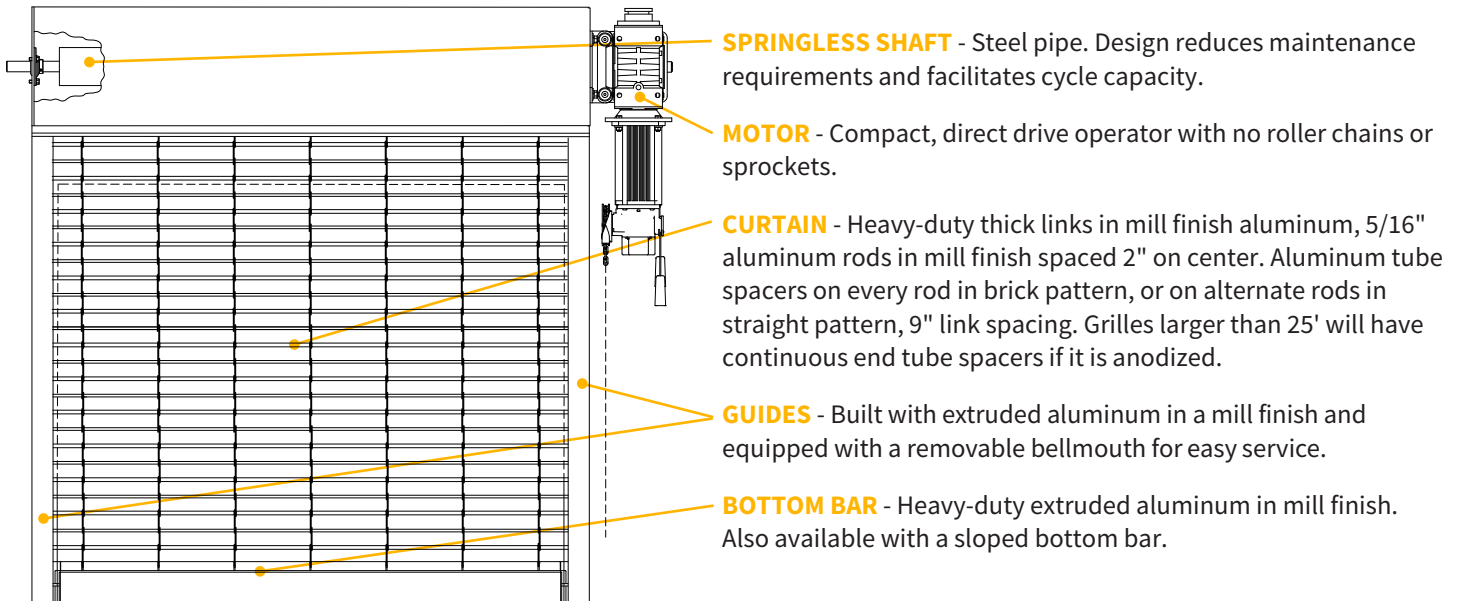
The TruCycle Grille utilizes a direct drive operator with a motor-mounted Variable Frequency Drive (VFD). This provides precision control and allows for a soft start and stop, extending the life of your grille system and ensuring quiet operation. The operator system pairs with the APEX™ Core SmartController, putting reliable performance diagnostics at your fingertips. This compact controller features a smart interface with a large integrated LCD screen and simplified wiring for effortless ground-level commissioning.

### APPLICATIONS

The TruCycle Grille system is ideal for high-volume environments like parking garages, retail storefronts, and major transportation centers that require continuous, reliable access paired with visibility and ventilation.

## TRUCYCLE™ SECURITY GRILLE Models HCESG10 (straight) & HCESG12 (brick)

### STANDARD COMPONENT MATERIALS AND FINISHES

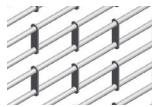


### A CHOICE OF TWO CURTAIN PATTERNS

Both designs provide both visibility and ventilation.



Straight



Brick

### OPERATION AND STRUCTURAL REQUIREMENTS

#### Motor operation required.

This product is supported by a guide assembly attached to the jamb construction or structural tubes attached to either wall or overhead construction. No additional header support is required unless hood supports are mandated by a larger opening width.

### OPTIONAL MATERIALS AND FINISHES

- ▶ Aluminum in Mill, Clear, Bronze and Black Anodized.
- ▶ SpectraShield® Powder Coating in more than 180 colors (not available on curtains).

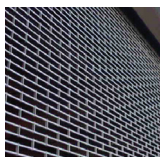
### UNIQUE FEATURES

**APEX™ CORE SMARTCONTROLLER** - This IP54 (NEMA 3 equivalent) controller features plug-and-play connections to operator and standard sensors to reduce installation time. Its compact panel features an LCD screen for guided commissioning, electronic limit setting, and status/error messaging. A NEMA 4 upgrade is available.

**MONITORED PROTECTION** - Standard UL 325-2010 compliant, NEMA 4X-rated photo eyes allow for momentary contact operation. Interruption of the beam immediately halts and reverses the grille to the fully open position. The photo eyes are shipped loose as standard.

**OPTIONAL SAFETYGARD LIGHT CURTAIN** - For enhanced safety, add our optional light curtain, available in 3' or 6' heights depending on the height of the door. It installs directly into the door guide, ensuring a clean aesthetic. If an object breaks the invisible light beams, the door instantly stops and reverses.

**120V COMPATIBILITY** - The system is compatible with 120V input via an optional wall-mounted transformer. The required mounting space is 13.5" wide by 16.125" high.



### CUSTOM-DESIGNED SOLUTIONS

Contact our experienced Architect Design Support Team for help in customizing our products to fit your specific application.

 [www.architectdoorhelp.com](http://www.architectdoorhelp.com)