

ROLLING DOOR

# SERVICE DOOR

Models ESD10 & ESD10W



## THE STANDARD OFFERING THAT'S ANYTHING BUT...

### FLEXIBILITY

Each door is built to meet your exact specifications. We offer many options, from custom graphics to perforated slats to help you create a product that's uniquely yours.

### PERFORMANCE

Our doors can be configured to withstand the full range of wind load requirements, including Miami-Dade, Texas Department of Insurance, ANSI/DASMA-108 or operational wind load of up to 20 PSF. We can also supply seismic calculations.

### SECURITY

Rolling steel doors are significantly more secure than traditional garage or dock doors.

### DURABILITY

Our standard Service Door is constructed to withstand daily use and warranted up to 50,000 cycles.

### MAXIMUM CLEARANCE

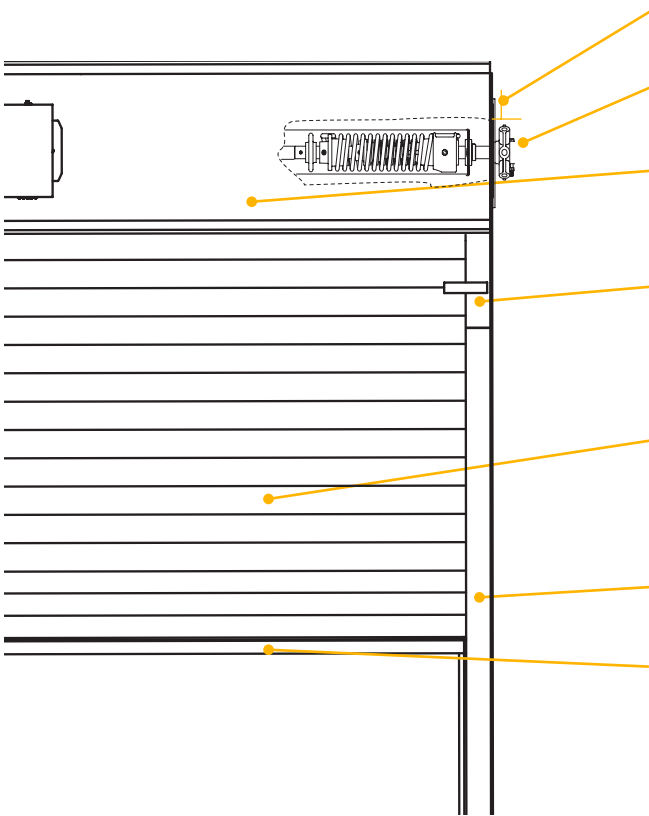
Ideal for areas with limited overhead room, the Service Door curtains store in an overhead coil fully supported by the side guides.

800.233.8366 | [cornelliron.com](http://cornelliron.com)

CornellCookson, LLC. is an ISO 9001:2015 registered company  
8.2024

**CORNELL**  
Innovative door solutions.™

## STANDARD COMPONENT MATERIALS AND FINISHES



**BRACKETS** - Steel with powder coating to match curtain. Bolt to guide assembly and support counter-balance shaft and curtain.

**COUNTER-BALANCE SHAFT** - Steel. Supports curtain and contains torsion springs for assisting operation.

**HOOD** - Galvanized steel with GalvaNex™ polyester enamel finish to match curtain. Encloses the curtain that provides weather resistance at the head of the door.

**REMOVABLE BELLMOUTH** - Structural steel with powder coating in Gray, Tan, White or Brown. Located at the top of the inner and outer guide angles, coped and flared. Removable section for ease of curtain installation and repair.

**CURTAIN** - Galvanized steel with GalvaNex™ polyester enamel finish in Gray, Tan, White or Brown. Interlocking roll-formed slats with endlocks riveted to the ends of alternate slats to maintain slat alignment and prevent wear.

**GUIDES** - Structural steel with powder coating to match curtain. Bolt to the wall and support the weight of the door.

**BOTTOM BAR** - If width is less than 21'5", extruded aluminum supplied in mill finish. If width is greater than 21'5", steel supplied with powder coating to match curtain.

## OPTIONAL MATERIALS AND FINISHES

- ▶ Aluminum in mill, clear or color anodized
- ▶ Stainless Steel - 300 series in #4 finish.
- ▶ SpectraShield® Powder Coating in more than 180 colors
- ▶ For a more durable finish, consider upgrading to our GalvaNex™ Ultra™ or SpectraShield® Ultra™ powder coat finish.
  - It is a polyester based textured wear resistant clear coat that provides increased resistance to corrosion of the curtain and improved durability against normal abrasion and scratching due to cycling.

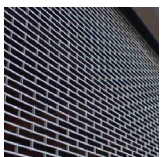
### Brackets, Guides and Bottom Bar

- ▶ Hot-dip galvanizing on steel components
- ▶ Zinc-enriched, corrosion-resistant powder coating in Gray

## OPERATION AND STRUCTURAL REQUIREMENTS

**Hand-chain, hand-crank, push-up and a variety of motor options are available.**

This product is supported by a guide assembly attached to the jamb construction. No additional header support is required unless hood supports are mandated by a larger opening width.



## CUSTOM-DESIGNED SOLUTIONS

Contact our experienced Architectural Design Support Team for help in customizing our products to fit your specific application.

 [www.architectdoorhelp.com](http://www.architectdoorhelp.com)