

ROLLING COUNTER DOOR

EXAM ROOM COUNTER DOOR

Model ESC15



SAFELY TREAT BEHAVIORAL HEALTH PATIENTS IN STANDARD ROOMS

FLEXIBLE FUNCTIONALITY

This counter door allows hospitals, long term care, urgent care and other institutional facilities to utilize the same exam room for both medical and behavioral health patients back to back. Creating a multi-purpose room saves the healthcare provider money and resources while providing the needed security for the patients.

DURABLE

The exam room shutter comes standard with a steel curtain for optimum strength. It also has impact resistant guides and end locks that ensure the curtain will stay within the guides in the event of impact.

UTILIZING AN ANTI-LIGATURE DOOR

The fascia side motor is above the ceiling with the coil above the medical cabinet. This creates a completely flat surface facing the patient's room to cover sinks, cabinets, access to oxygen tanks, and other potentially dangerous equipment. In addition, all fasteners are concealed and the bottom bar is flat.

MEETING THE STANDARD

Exam Room Counter Door meets the ASHRAE / Facility Guidelines Institute (FGI) recommendations for all exam room finishes to be impact, tamper, and ligature resistant.

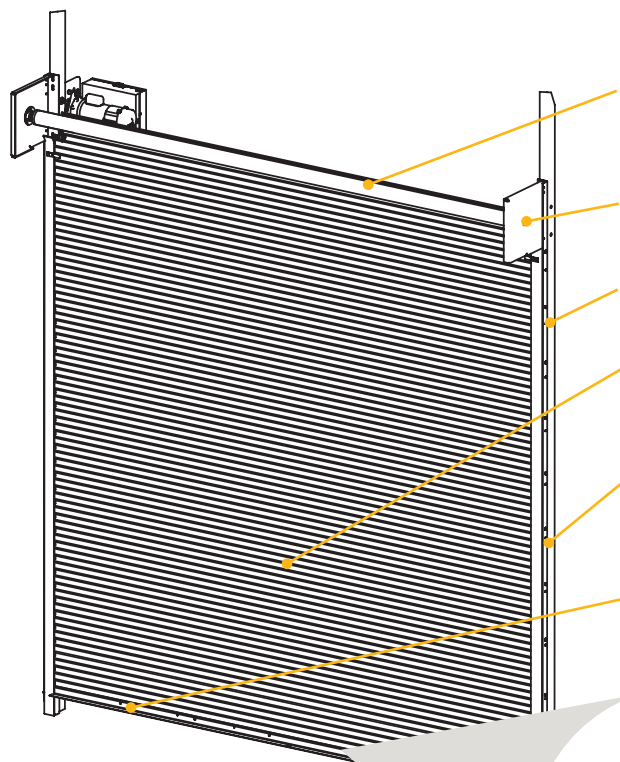
800.233.8366 | cornelliron.com

CornellCookson, LLC. is an ISO 9001:2015 registered company

10.2022

CORNELL
Innovative door solutions.

STANDARD COMPONENT MATERIALS AND FINISHES



COUNTER-BALANCE SHAFT - Hidden above the ceiling, it is made of steel. It supports the curtain and contains torsion springs for assisting operation.

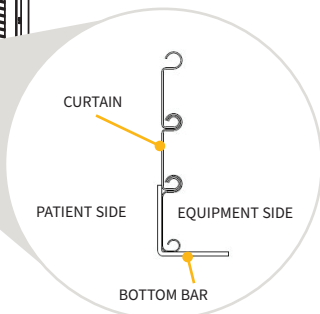
BRACKETS - Steel with powder coating to match curtain. Bolted to the guides to support counter-balance shaft and curtain.

TUBES AND GUIDES - Two piece steel guides are attached to tubes that are recessed into drywall.

CURTAIN - Interlocking roll-formed flat-faced slats made of Galvanized steel with GalvaNex™ polyester enamel finish in gray, tan or white.

SPECIALIZED END LOCKS - Riveted to the end of each slat, they are designed to ensure that the curtain is held within the guides in the event of impact.

BOTTOM BAR - Single angle flat bottom bar in steel with powder coating to match curtain creates a smooth transition.



OPERATION AND STRUCTURAL REQUIREMENTS

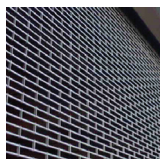
Motor operation is required.

- ▶ This product is mounted to tubes that are recessed into the drywall along with the coil, eliminating ligature points.
- ▶ Motor mounted above ceiling.
- ▶ Use of ligature resistance access panel is recommended, but not supplied.

OPTIONAL MATERIALS AND FINISHES

- ▶ 16 gauge extruded aluminum in clear, color anodized and powder coat.
- ▶ Stainless Steel - 300 series in #4 finish.
- ▶ SpectraShield® powder coating in more than 180 colors.
- ▶ For a more durable finish, consider upgrading to our Galvanex™ Ultra™ or SpectraShield® Ultra™ powder coat finish.

- It is a polyester based textured wear resistant clear coat that provides increased resistance to corrosion of the curtain and improved durability against normal abrasion and scratching due to cycling.



CUSTOM-DESIGNED SOLUTIONS

Contact our experienced Architectural Design Support Team for help in customizing our products to fit your specific application.

 www.architectdoorhelp.com