

# FIRE DOOR CLOSING SYSTEMS

AlarmGard® & FireGard™



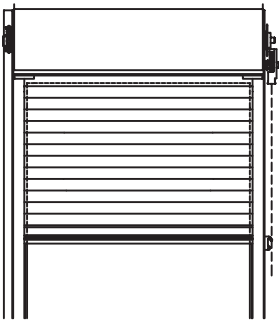
# PREVENT SMOKE AND FIRE DAMAGE

According to the National Fire Protection Association (NFPA), in 2014, there were 1,298,000 fires reported in the United States. These fires caused 3,275 civilian deaths, 15,775 civilian injuries, and \$11.6 billion in property damage.

Our fire solutions help save property, and more importantly, lives. With our advanced Fire Door Systems offering industry-leading, intelligent operation and will:

- ▶ Activate thermally or electrically to contain fire and stop smoke migration
- ▶ Easily - or even automatically - reset or auto open after a fire event or power outage

**Our Rolling Fire Doors are the clear and reliable choice for building owners and designers who demand the highest level of life safety and fire protection available with the lowest cost of ownership in a modern, easily integrated package.**



# ROLLING FIRE DOORS

## Custom Built for Everyday Use

Our Rolling Fire Doors, designed for fire rated openings, provide security and access control for use in openings that are not part of a required means of egress. Factory Mutual Approved and listed with the California Office of the State Fire Marshall. UL listed for fire protection ratings of  $\frac{3}{4}$ ,  $1\frac{1}{2}$ , 3 and 4 hours.

STANDARD COMPONENT MATERIALS AND FINISHES	
<b>Curtain</b>	Galvanized steel with GalvaNex™ finish in Gray, Tan, White or Brown
<b>Bottom Bar</b>	Steel with powder coating in Gray, Tan, White or Brown
<b>Guides</b>	Steel with powder coating in Gray, Tan, White or Brown
<b>Counterbalance Shaft</b>	Steel
<b>Brackets</b>	Steel with powder coating in Gray, Tan, White or Brown
<b>Hood</b>	Galvanized steel with GalvaNex™ finish in Gray, Tan, White or Brown

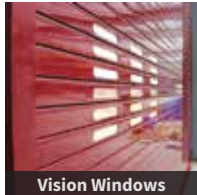
### OPTIONAL MATERIALS AND FINISHES

- ▶ **Stainless steel**
- ▶ **SpectraShield® powder coating in more than 180 colors**

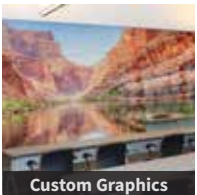
### ADDITIONAL BRACKET AND GUIDE OPTIONS

- ▶ **Hot-dip galvanizing on steel components**
- ▶ **Zinc enriched corrosion resistant powder coating in gray.**

### POPULAR OPTIONS



Vision Windows



Custom Graphics

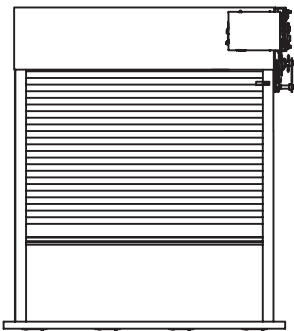


Wind Loading

### PERFORMANCE UPGRADES

**SmokeShield** - UL 1784 “S” Label assembly provides protection against the infiltration of smoke and gases.

**Firemiser™ Insulated Rolling Fire Doors** - Provides energy savings, sound attenuation and climate control. STC rating of 32. Flame spread and smoke development index 0.



# RATED COUNTER SHUTTERS

## Custom Built for Everyday Use

Our Rolling Counter Shutters protect interior corridors and create structural separation in openings where lifesafety is a priority. For use in rated walls, masonry or dry wall with metal or wood studs, our counter shutters can also be used to close full-sized door openings when compact components are required. UL listed for fire protection ratings of  $3/4$ ,  $1\ 1/2$ , and 3 hours.

STANDARD COMPONENT MATERIALS AND FINISHES	
<b>Curtain</b>	Galvanized steel with GalvaNex™ finish in Gray or Tan
<b>Bottom Bar</b>	Steel with powder coating in Gray or Tan
<b>Guides</b>	Steel with powder coating in Gray or Tan
<b>Counterbalance Shaft</b>	Steel
<b>Brackets</b>	Steel with powder coating in Gray or Tan
<b>Hood</b>	Galvanized steel with GalvaNex™ finish in Gray or Tan

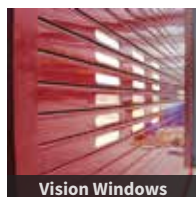
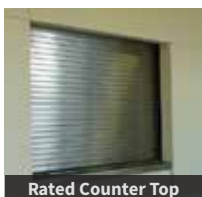
### OPTIONAL MATERIALS AND FINISHES

- ▶ **Stainless steel**
- ▶ **SpectraShield® powder coating in more than 180 colors**

### ADDITIONAL BRACKET AND GUIDE OPTIONS

- ▶ **Zinc enriched corrosion resistant powder coating in gray.**

### POPULAR OPTIONS



### PERFORMANCE UPGRADES

**SmokeShield** - UL 1784 "S" Label assembly provides protection against the infiltration of smoke and gases.

**Integral Frame and Sill** - Factory-welded frame and sill configuration for a built-in look. Available in UL labels for  $3/4$  or  $1\ 1/2$  hours.

# THE IMPORTANCE OF CHOOSING THE RIGHT FIRE DOOR CLOSING SYSTEM

Fire doors are mandatory. A closing system can be custom tailored to your needs. Why not choose one with the features that truly benefit the owner long after the installation is complete?

## ALARMGARD®

### Alarm Activated

Select AlarmGard if you want the most advanced closing system that closes your doors as soon as fire is detected and features hands-free reset.

## FIREGARD™

### Fusible Link Activated

Select FireGard if you want a fusible link closing system that is economical and easy to use.

FUNCTION		BENEFIT		MOTOR	TUBE MOTOR*	CHAIN OR CRANK	MOTOR	CHAIN OR CRANK
Wires directly to fire alarm control panel without adding a separate release device	Integrated connection to create a cleaner look and simplified installation	X	X	X				
Automatically resets upon alarm clearing or restoration of power	Doesn't require human interaction to reset to fully operational status	X	X	X				
Automatic close initiated by signal from fire alarm control panel	Closes in advance of smoke or high temperatures reaching the opening - compartmentalizing the fire	X	X	X	O	O		
Operates fail-safe	Performs its intended function in the event of power loss or electrical notification (fusible links are not fail-safe)	X	X	X	O	O		
Automatic close may be initiated by fusible link	Suitable where connection to alarm system is not required or power is not available	O	O	O	X	X		
Does not require manual resetting of spring tension after closing	Eliminates downtime and maintenance costs associated with resetting process	X	X	X	X	X		
Allows for routine and simple testing of system to occur in minutes	Can be tested at floor level with no need for hazardous ladders or resetting tools	X	X	X	O	O		
May be retrofit to other manufacturers' doors	Gain the benefits of our advanced closing systems without requiring a new fire door and keep existing UL or FM labels	X		X	X	X		
Controlled and safe rate of descent 9-12 ips	Prevents potential danger to building occupants or objects in the opening when the door closes	X	X	X	X	X		

\* Available for Counter Fire Doors

x Available as a Standard o Available as an Option

# CLOSING SYSTEM RELEASE DEVICES

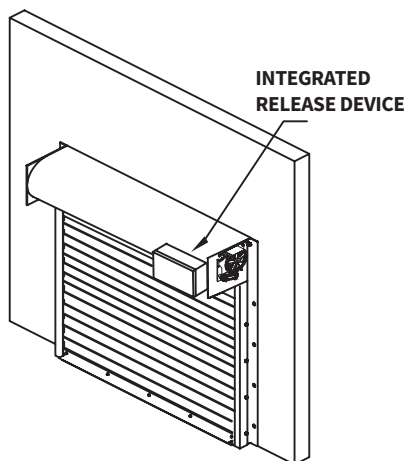
## Automatic Response in an Emergency

If a fire or smoke event occurred in the school pictured here, you would want your fire doors to immediately react to the central alarm signal, causing them to close and prevent the spread of smoke and fire so students could exit safely.

Our fire door closing systems can be ordered with an integrated or optional release device, which will respond immediately when the alarm signals and when you need it most.



## AlarmGard® Integrated Fail-Safe Release Device

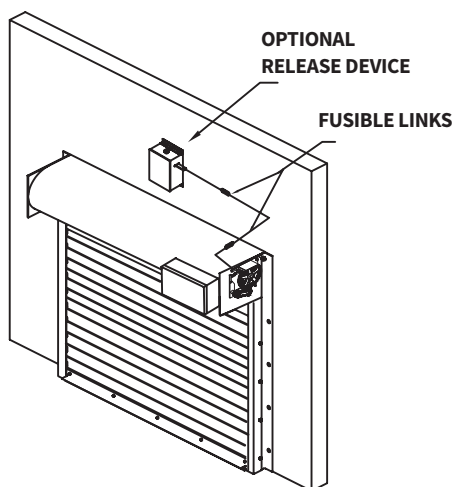


### On-Board Closing Device

The AlarmGard® Closing System comes already equipped with an integrated fail-safe release device, making it the superior choice for application where there is minimal wall space for additional devices, or where the coil box must be recessed into the ceiling construction.

- ✓ Activates Door to Close from Alarm Signals
- ✓ Does Not Require Human Interaction to Reset or Re-Open after Alarm Clears
- ✓ Requires Minimal Headroom Clearance
- ✓ Faster Installation Times
- ✓ Clean, Streamlined Appearance

## FireGard™ Optional Release Device



### Wall Mounted Closing Device

The FireGard™ Fusible Link Closing System can be ordered with an optional fail-safe release device, which will respond to alarm signals and permit the fire door to close before smoke migration occurs or before high temperatures melt the fusible link.

The FireGard™ optional release device is suitable for applications that can offer more wall space for the installation of the device and where aesthetics are less important.

# CLOSING SYSTEM ACCESSORIES

Available for both AlarmGard® and FireGard™ Closing Systems®

A variety of accessories are available to enhance the safety and functionality of a Rolling Fire Door or Counter Shutter.



## Battery Backup Device

The addition of a battery backup device to the fail-safe release device prevents unplanned door closure due to power failure. The device also functions as a backup power source for local warning devices and detectors during power failures.



## Entrapment Protection Devices

To meet the UL 325-2010 standards for safety, doors without a monitored and properly functioning primary entrapment device will only function by constant pressure to close.

- ▶ **Wireless Sensing Edge** Contact with the edge during the close cycle causes the door to immediately stop downward travel and reverse direction to the fully open position.
- ▶ **Photo Eyes** Interruption of the safety beam during the close cycle causes the door to immediately stop downward travel and reverse direction to the fully open position.



## Floor Level Test Stations

Safely and conveniently test and reset the functionality of the fire door at floor level. May be flush or recess mounted.



## Fire Door Annunciators

ADA compliant safety devices provide a visual or audible advanced warning when the door is about to close. Can be supported by a battery backup device.

- ▶ **Voice Warning Module** Provides up to four different voice warning messages upon activation.
- ▶ **Horn Strobe** Visual strobe warning light powered by the release device.

# ALARMGARD® Model ERD10

## The Most Advanced and Complete Fire Door Closing System

Activated by fire alarm systems or local detectors, this closing system features an integrated release device for an immediate, fail-safe response to a fire event, even in the event of a power failure.



### AlarmGard® Operating System Benefits

- ▶ **Compact Design Includes Integrated Fail-Safe Release Device**
- ▶ **Automatic Reset Plus Automatic Open Eliminates Reset Downtime by 100% after Alarm Clears**
- ▶ **Spring Tension Not Released Upon Activation**
- ▶ **Safe, Controlled Activated Closing speed of 9-12" Per Second**
- ▶ **Minimum Clearance Requirements**

### Motor Operated AlarmGard System

These advanced systems close the fire door in response to an alarm signal and are fail-safe by design, safely closing the door during a fire even or prolonged power failure. When the alarm is cleared and power is restored, the door is automatically reset. AlarmGard® operators do not require an optional release device. AlarmGard is especially beneficial in recessed applications because there is no need for direct access to the closing system to reset the door.

### Retrofit Operators

The AlarmGard® operating system can be retrofit to most manufacturers' fire doors while maintaining the door's listing agency ratings.



## AlarmGard Tube Motor Operator For Fire Doors and Counter Fire Shutters

AlarmGard® Tube Motor Operators are concealed in the shaft assembly, making them ideal for openings with tight clearances or when you need to conceal the operator drive components without adding a bulky and unsightly motor cover. The AlarmGard® Tube motor operator can be used on Fire Doors or Counter Fire Shutters.

### Features and Benefits:

- ▶ Convenience of motor operation in a low-profile, concealed design
- ▶ Auto-Reset and selectable Auto-Open
- ▶ Available with or without battery back up
- ▶ UL 325 compliant and UL 864 listed motor assembly
- ▶ Rated for up to 10 cycles per day
- ▶ Electrical connections from the operator to wall-mounted control panel is plug and play
- ▶ Internal fail safe release device and internal centrifugal governor

### Recommended Applications:

- ▶ Fire Door and Counter Fire Shutters that require convenient motor operation in limited spaces conditions
- ▶ Conditions that will benefit from hidden components and aesthetically pleasing profile
- ▶ Applications requiring a back-up battery to eliminate nuisance activations from power interruptions

### Requirements:

- ▶ An AlarmGard® tube motor can operate a fire door or fire counter shutter up to approximately 120 sq ft.\*
- ▶ The tube motor requires 120 V ac/60 Hz or 230 V ac/50 Hz\*\* input power and 24 V alarm input

\* Size limit varies by door configuration and gauge required.

\*\* Special order - additional lead time will apply.



## Chain and Crank AlarmGard Systems

### Economical Function:

- ▶ Even with manual modes of operation, the advanced AlarmGard system includes an integrated fail-safe release device that electrically activates and automatically resets the door. Resetting spring tension or re-engaging the operator is not required

### Recommended Applications:

- ▶ Use for fire products that do not require the daily operating convenience of a motor operator. Clearance and access to the hand chain or crank eye is required

### Requirements:

- ▶ The chain and crank requires 120 V ac input power and 24 V alarm input



# FIREGARD™ Model ERD10

## Save Time and Money on Daily Operation, Testing and Resetting

The FireGard's convenient and economical design is thermally activated. This system can be readily drop tested and reset with minimal downtime - dramatically reducing labor and inspection costs.



### FireGard™ Operating System Benefits

- ▶ Activates without Releasing Spring Tension
- ▶ Fusible Link Activation Standard
- ▶ Safe, Controlled Closing Speed 9-12" Per Second
- ▶ Will Not Automatically Close Upon Power Failure
- ▶ Compact Design
- ▶ Easy Installation
- ▶ Connection to Alarm System (Optional)
- ▶ Floor Level Test Station (Optional)

#### Motor Operated FireGard System

##### Features and Benefits:

- ▶ Convenience of motor operation
- ▶ Auxiliary chain for emergency operation
- ▶ Simple and inexpensive annual testing

#### Chain and Crank Operated FireGard System

##### Features and Benefits:

- ▶ Power not required
- ▶ Economical
- ▶ Simple and inexpensive annual testing

#### Retrofit Operators

The FireGard™ operating system can be retrofit to most manufacturers' fire doors while maintaining the door's listing agency ratings

## **A FULL LINE OF ADVANCED FIRE DOOR CLOSING SYSTEMS**

With quality and reliability as our first priorities, our innovative fire door systems offer industry-leading functionality and intelligent operation.

Visit our website for more information on features, options and finishes available for our rolling fire doors and shutters.

## **ARCHITECTURAL DESIGN SUPPORT**

Our experienced Architectural Design Support Team is available to help you customize our products and develop uniquely engineered solutions to fit your specific design needs.

## **A NETWORK OF LOCAL DEALERS TO PROVIDE SUPERIOR SERVICE**

Whether you want to install a new closure system or are looking to service currently installed products, our Local Dealer Partners are trained and equipped with the tools and resources to ensure your satisfaction.

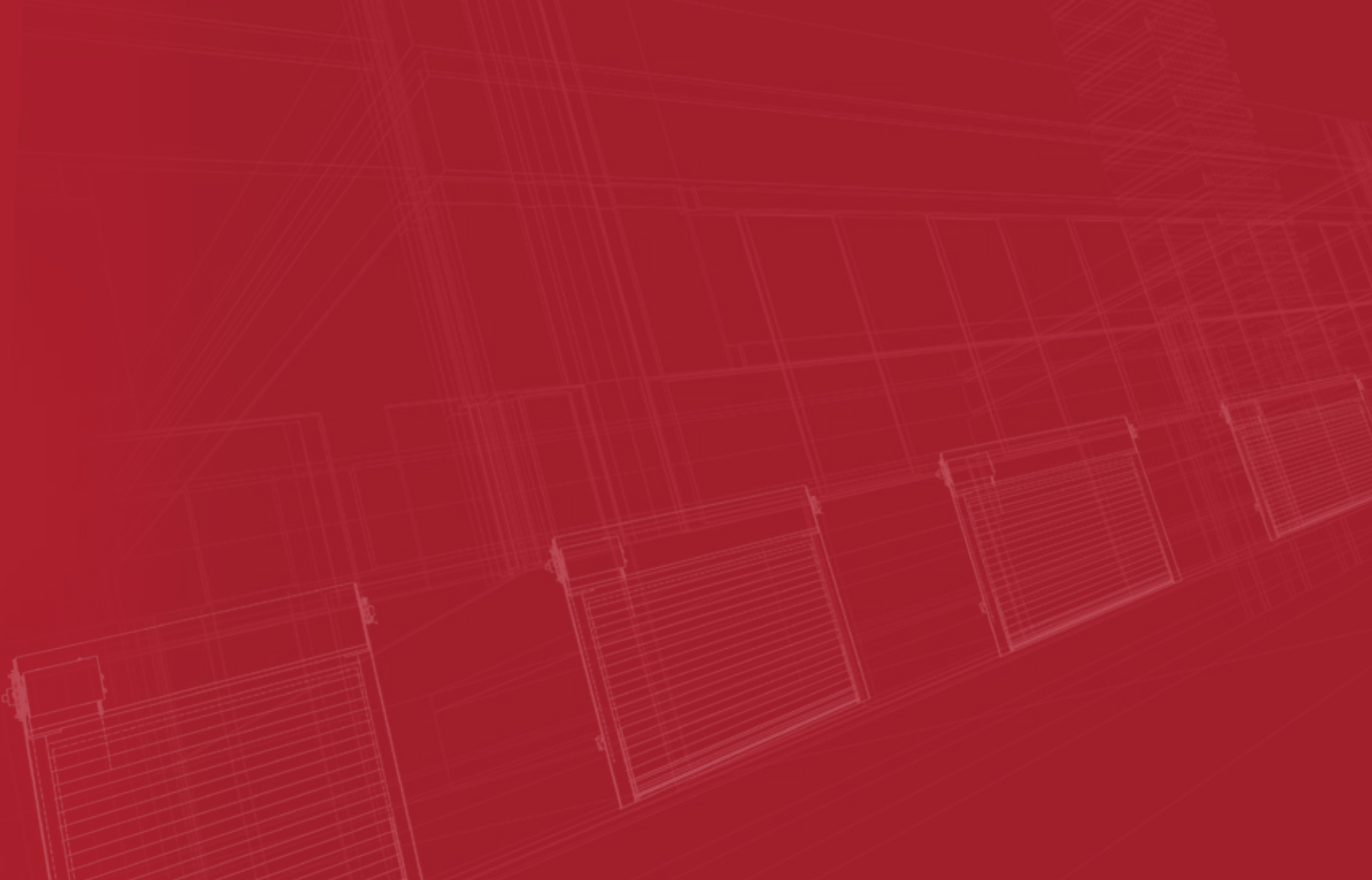
## **MAKE OUR YEARS OF SUCCESS A PART OF YOURS**

Family owned and run since 1828, our expert design teams and ISO registered state-of-the-art facilities are focused on providing quality closure solutions that protect lives and property.

Contact [architecturalsupport@cornellcookson.com](mailto:architecturalsupport@cornellcookson.com) or call 1.800.233.8366 ext. 4551 for design support.

**FOR MORE INFORMATION AND TECHNICAL DETAILS, VISIT [CORNELLIRON.COM/FIRE](http://CORNELLIRON.COM/FIRE)**





Your Authorized Cornell Dealer:

800.233.8366 | [cornelliron.com/spectrashield](http://cornelliron.com/spectrashield)  
CornellCookson, LLC is an ISO 9001:2015 registered company  
02.2019

**CORNELL**  
Innovative door solutions.®