

# Cornell Model SG Operator

## Super Duty Gear Head Operators

Designed For Continuous Use

### Features and Benefits

- Totally Enclosed Fan Cooled (TEFC) motor provided as standard.
- Compact Operator/Mounting Configuration is ideal for coiling doors - operators always fit within the coil height dimension.
- Consistent Mounting, Appearance, Wiring - across full line of Cornell operator models.
- Considerably Lighter Weight than competitive gear head operator models! A 1/2 HP SG weighs 51 lbs., whereas a competing 1/2 HP gear head weighs 85 lbs.
- Auxiliary Chain for emergency operation, just pull to operate.
- UL Listed



### New Logic Technology

Cornell's SG series operators offers the following logic technology features as standard:

- Programmable 7 Segment LED Display
- Cycle Counter
- Terminal connection for a monitored entrapment protection device
- Timer to Close, Mid Open Timer, Open Warning Timer
- On Board Open and Close Limit Signaling Connections

- 24VDC close warning output signal
- On board Open/Close/Stop buttons

#### Optional Features:

- Module for up to two additional monitored entrapment protection devices

### SG Series Operators Standard Features

#### Operator

Design configuration is ideal for coiling door products. Continuous duty, high starting torque with overload protection. Available in 1/2, 3/4, 1, 1 1/2, 2, 3, 5 and 7 1/2 HP; single-phase capacitor start to 1 1/2 HP and three phase motors available.

#### Drive Reduction

Lubricated, heavy-duty gears.

#### Overload Protection

Prevents motor burnout.

#### Limit Switches

Linear driven, fully adjustable screw type cams. Removal of motor does not affect limit switch settings.

#### Operator Safety Feature

Activating "Open," "Stop" or a remote transmitter button will stop movement of a closing door.

#### Pre-Wired for Sensing Edge / Sensing Devices

A sensing edge, photo eyes or other detection devices can be easily connected. Standard one second time delay prior to reversing prevents damage to door and operator.

#### Auxiliary Chain Hoist

Automatically engages and disengages as hand chain is operated.

#### Standard Exterior Radio Control Terminal

Provides for easy and fast connection of radio controls.

#### Brake

Maintenance free, solenoid actuated brake - No adjustment required for the life of the operator.

#### Bearings

Heavy-duty bearings are used at all rotation points.

Motor modifications and accessories are available. Consult factory with specific requirements.

# CORNELL

**SAFE AND SECURE**

# Cornell Model SG Operators

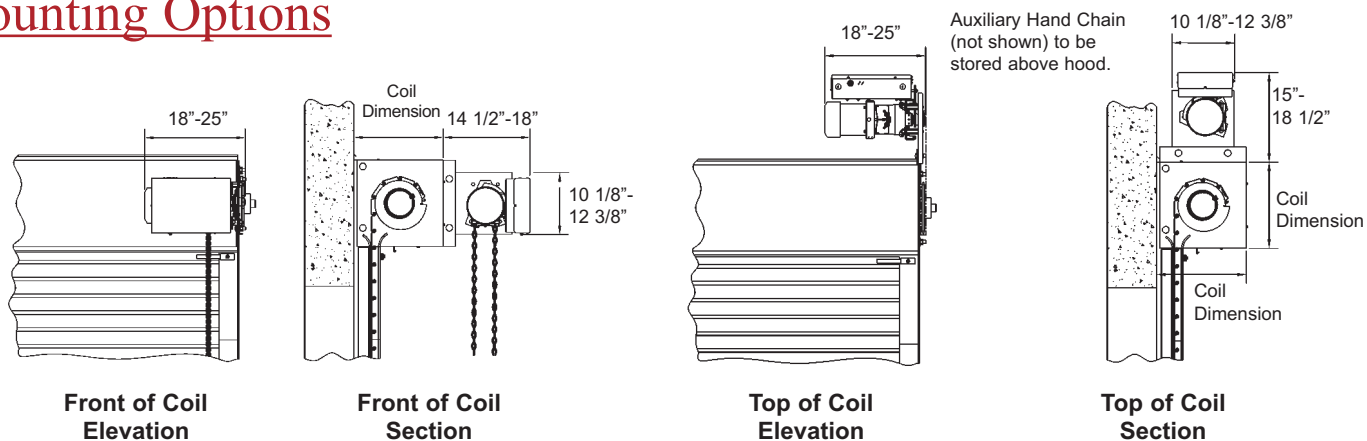
## Model SG Operator Variations

Operator Code	SGH 50	SGH 75	SGH 100	SGH 150	SGH 200
Horsepower	1/2 hp	3/4 hp	1 hp	1 1/2 hp	2 hp
Voltage	115V/230V 460V	115V/230V 460V	115V/230V 460V	115V/230V 460V	230V/460V
Phase	1 & 3	1 & 3	1 & 3	1 & 3	3
Frequency	60 Hz.	60 Hz.	60 Hz.	60 Hz.	60 Hz.
Duty	Continuous	Continuous	Continuous	Continuous	Continuous
Drive Chain	#50	#50	#60	#60	#80
Auxiliary Hand Chain	Included	Included	Included	Included	Included

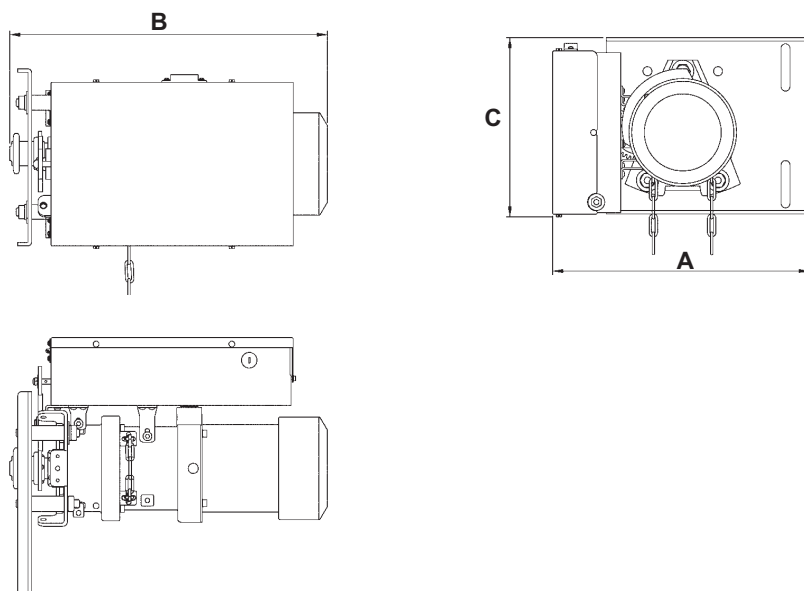
**Note:** 3, 5 and 7 1/2 HP operators are available. Contact Cornell for details.

Above products are protected by patent #6,055,885. Other patents are pending.

## Mounting Options



## Details and Clearances



SGH Series			
	A	B	C
1/2 HP	14 1/2"	18"	10 1/8"
3/4 HP	14 1/2"	18 5/8"	10 1/8"
1 HP	14 5/8"	20"	12 3/8"
1 1/2 HP	14 5/8"	20 3/4"	12 3/8"
2 HP	15"	25"	11"

**CORNELL**  
SAFE AND SECURE

An ISO 9001:2008 Registered Company

Crestwood Industrial Park  
Mountaintop, PA 18707

TEL 800.233.8366 • FAX 800.526.0841  
Architect & Design Support Services: Ext. 551  
Email: ADS@cornelliron.com

Website: [www.cornelliron.com](http://www.cornelliron.com)