

FireGard™ AR-D Release Device



Dimensions: 10 7/8" W x 9 7/8" H x 5 1/2" D.

Installation:

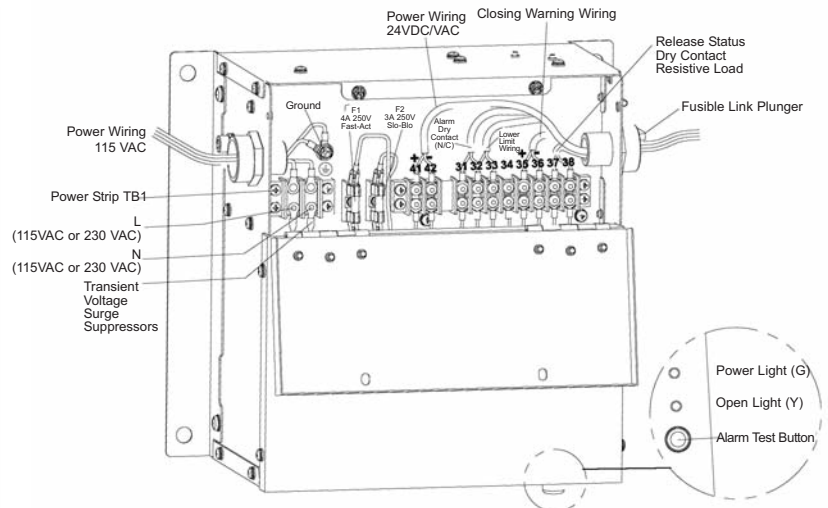
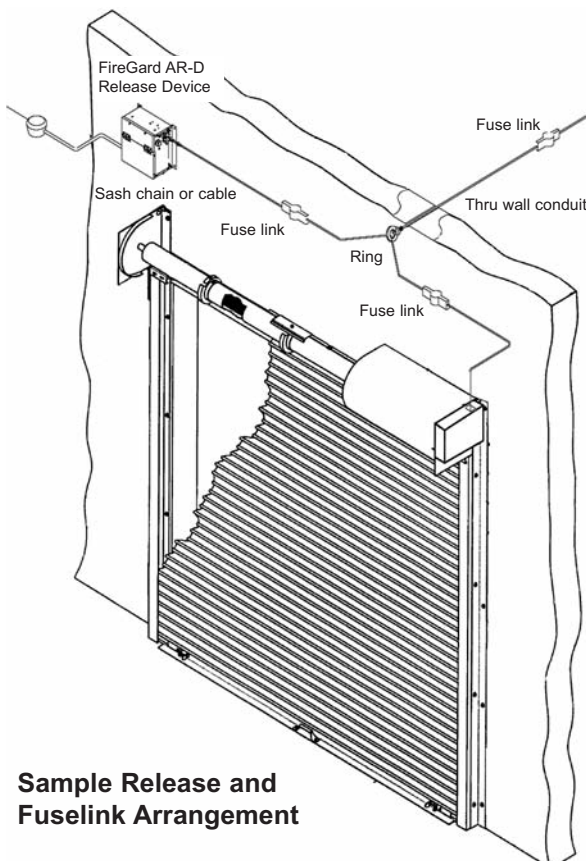
- Must be installed with UL approved fusible links.
- Sash chain or cable must be a straight pull for the first 18" out of release box before being redirected.
- May be rotated 90° clockwise for a vertical pull.
- 18-gauge wire recommended.
- For "Indoor Dry" location use only.

FireGard™ model AR-D is a tri-voltage releasing device that does not contain or require battery back-up support. It is a 100% fail-safe constantly energized solenoid mechanism designed for use on Cornell manual or motor operated rolling steel fire doors and counter fire doors with conventional drop out mechanisms. Complies with UL-864 - Control Units and accessories for fire alarm systems.

Features:

- Input voltage can be 115 VAC, 24 VAC or 24 VDC.
- The release has a 10 second delay upon power failure and alarm.
- The AR-D does not have battery backup.
- Contact relays receive the alarm signal from local detectors or a fire alarm control panel.
- Alarm signal can be Form C dry contact or 24VDC/VAC.
- Provisions to power a 24VDC door closing warning device upon alarm signal.
- Standby current draw: 115VAC and 24VAC = 0.5A, 24VDC = 0.2A
- Start up max. current draw: 115VAC = 1.1A, 24 VAC and 24VDC = 1.8A
- Down limit detection to prevent release of a closed door upon alarm signal: requires a closed door signal.
- Maximum rated pull: 50 lbs.
- Dedicated wiring terminal strip access panel.
- Provisions for external testing at the release device.

Wire Routing



SIGNALING



LISTED
FIRE ALARM EQUIPMENT
3SVK
R7505



LISTED
RELEASING DEVICES
3SVK
R7505

CORNELL
SAFE AND SECURE

An ISO 9001:2008 Registered Company

Crestwood Industrial Park
Mountaintop, PA 18707

TEL 800.233.8366 • FAX 800.526.0841
Architect & Design Support Dept: Ext. 551

Website: www.cornelliron.com

Email: cornell@cornelliron.com