

CORNELL

Counter Fire Doors Model ERC10

Practical Design Applications (for fire rated walls)

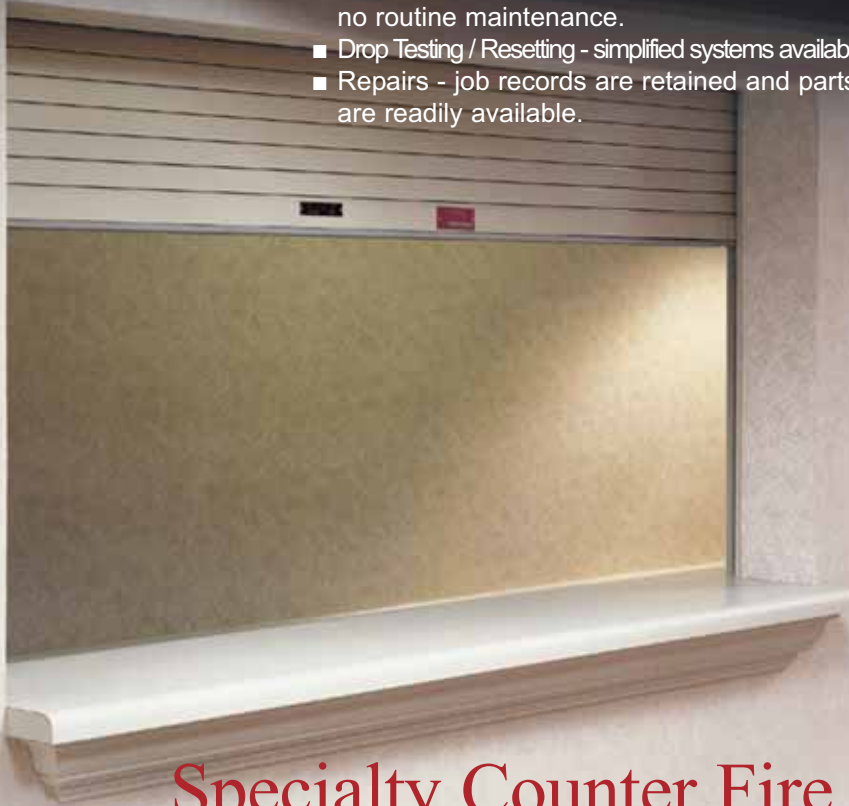
- Service Window Openings
- Cafeterias
- Healthcare Facilities
- Educational Facilities
- Hospitality/Public Space

Benefits

- Cornell can manufacture and ship most standard counter fire doors in one to two weeks.
- UL Labeled - 3, 1 1/2, 1 and 3/4 hour labels.
- Wall Construction - UL approved for mounting to rated drywall, masonry or steel walls.
- Size Flexibility - each unit is built to exact opening size requirements.
- Compact Storage - curtain stores in an overhead coil that is totally supported by the side guides.
- Durability - commercial duty design, little to no routine maintenance.
- Drop Testing / Resetting - simplified systems available.
- Repairs - job records are retained and parts are readily available.

Available Options

- UL labeled stainless steel or plastic laminate countertops
- Advanced Fire Door Closing Systems
- Battery Back Up Devices
- Annunciators
- LEED® Calculations
- Cylinder or slide bolt locking
- UL 325 compliant ELR Sensing Edge for motorized units
- Operator covers for exterior mounted units or exposed operators below 8'-0" high
- Sill angles



Specialty Counter Fire Doors



SmokeShield® Model ERC11

Add protection against the loss of life in addition to property protection from fire by adding tested and UL labeled smoke and draft control protection with SmokeShield. Units are tested per UL 1784 and meet building code and NFPA air leakage criteria. Available on units up to 16' wide when height is 7' 6" or less, and units to 12' wide when height is 10' or less. They can come to rest on a countertop or run full opening height and stop at the floor.



Integral Frame, Countertop Units Model ERC20

With frame and countertop included, these units are ready for mounting into masonry or rated dry wall openings with wall thickness ranging from 4 1/2" to 12" thick. Frames are 16 ga. stainless or steel material, sills are 14 ga. stainless material. Stainless steel is 300 series #4 finish, steel frames are powder coated. UL 1 1/2 hour labeled, manual push-up standard or tube motor operated. Available up to 10' 0" wide and 4' 9" high. UL "S" label available.



M100 FireGard™ Tube Motors

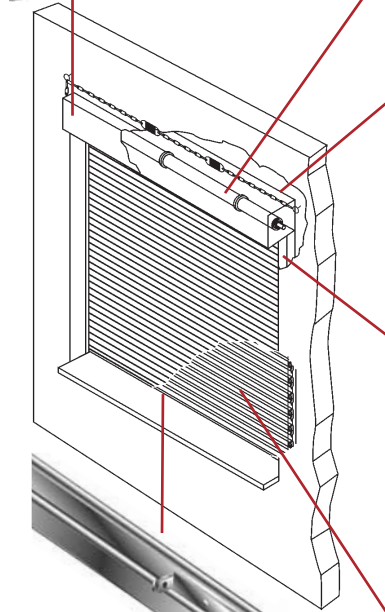
Provide all the benefits of M100 FireGard Closing Systems in a solution for strict dimensional limitations around the header or aesthetic requirements that lend themselves to its smaller, compact design. M100 FireGard bracket mounted motor, chain, or crank designs also available based on size and weight.

M100 Tube Motors protected by patent # 6155324

Counter Fire Door Components

Brackets
Minimum 12 gauge steel plates that bolt to guide assembly and support the counter balance shaft and curtain.

Standard Material & Finish: steel, with SpectraShield® powder coating Cornell gray or tan



Counter-balance Shaft
3" minimum diameter outer shaft and 3/4" minimum inner shaft. This assembly supports the curtain and contains counter-balance torsion springs for assisting operation.

Standard Material: steel



Hood
Protective sheet metal enclosure for the curtain that provides fire resistance at the head of the unit and keeps the brackets rigid.

Standard Material and Finish: galvanized steel with exclusive GalvaNex™ finish in light gray or tan or stainless steel with #4 finish



Guides
Side rail assemblies that bolt to the wall (maximum 18" bolt spacing as per UL procedure) and support the entire weight of the unit.

Standard Material & Finish: steel with SpectraShield® powder coating Cornell gray or tan with galvanized steel curtains or #4 finish stainless steel with stainless steel curtains



Bottom Bar
Reinforcing member attached to the bottom of the curtain with a vinyl astragal seal to cushion the contact point on the counter. Single angle provided with slide bolt locking (shown), single angle with bent trim piece provided with cylinder locks.

Standard Material & Finish: steel with SpectraShield® powder coating Cornell gray or tan with galvanized steel curtain or #4 finish stainless steel with stainless steel curtains.

Curtain
Interlocking roll formed flat-faced 1 1/2" high slats with galvanized steel end-loops riveted to ends of alternate slats to maintain curtain alignment and prevent wear.

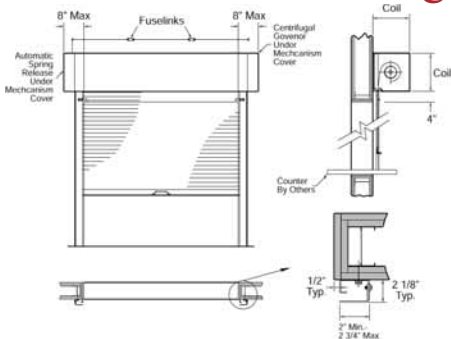
Standard Material & Finish: 22 gauge galvanized steel with exclusive GalvaNex™ finish in light gray or tan or 22 gauge stainless steel with #4 finish



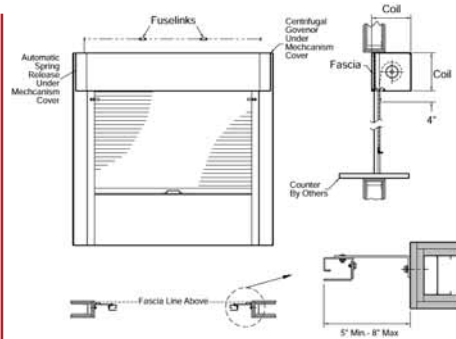
Operation

Push-up operation shown. Hand crank and motors are available. Doors operate by rotating the shaft gear end. The opposite end of shaft applies spring tension and is equipped with a spring adjusting wheel.

Mounting & Clearances



Face of Wall
Maintains clearance of full opening, minimal exposed components.



Between Jambs
Mounts within the opening, fascia (front hood closure piece) required.

Counter Fire Doors are built to order to fit openings up to 16' wide when height is 7'6" or less or openings up to 12' wide when height is 10' or less.

Special Feature Options

- **UL 1 1/2 Hour Labeled Countertops** - Plastic laminate countertops are available in a range of standard laminates in a single piece up to 10' wide, and in two pieces with center joint to 16' wide. 14 gauge, #4 finish stainless steel countertops are custom designed to a maximum wall opening width of 11'2" for face of wall units, 11'10" for between jambs, for a maximum 12" wall thickness.
- **FireGard™ Closing Systems** - available in addition to advanced M100 line, economical, fuselink activated systems close fire rated doors without releasing spring tension, avoiding dangerous resetting process when connection to a central alarm system is not required or power is unavailable.
- **Battery Back Up Devices** - Prevents the door from closing due to a power failure for a minimum of 4 hours. For 100 FireGard™ Operators also functions as a DC power source for local warning devices and detectors to keep them functioning during a power outage.
- **Annunciators** - safety devices that provide a visual and/or audible advanced warning when the fire door is about to close. Can be activated upon alarm signal or loss of power when supported by a battery back-up device.

Optional Finishes

- Powder coat finish in selected color
- Zinc Rich Gray corrosion resistant powder coating
- Hot-dip galvanizing on steel components

SpectraShield® Powder Coat Finish

Cornell's SpectraShield® Powder Coat Finish adds durability and aesthetic value in a choice of over 200 colors. Surface preparation and the coating process produces a smooth, long lasting finish at controlled costs.



CORNELL

SAFE AND SECURE

An ISO 9001:2008 Registered Company

Crestwood Industrial Park
Mountaintop, PA 18707
TEL 800.233.8366 • FAX 800.526.0841
Architect & Design Support: Ext. 551
Website: www.cornelliron.com
Email: ADS@cornelliron.com