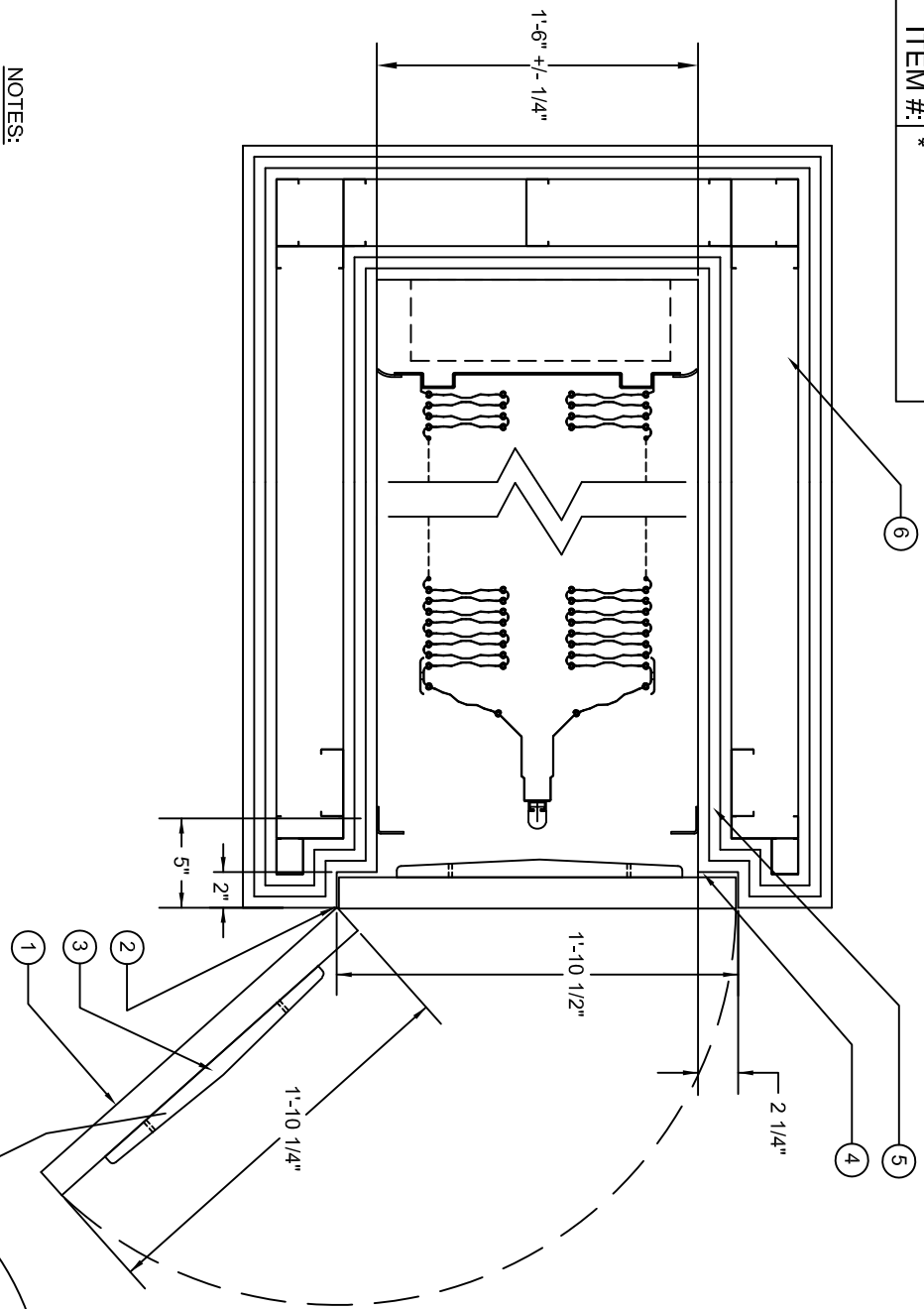


EST #:	*
JOB #:	*
ITEM #:	*



- NOTES:**
1. POCKET COVER DOOR BY OTHERS.
 2. REVERSE-ACTION SPRING HINGE OR CONTINUOUS HINGE BY OTHERS.
 3. BUMPER (MOUNTED ON INSIDE OF POCKET COVER DOOR 3" ABOVE FINISHED FLOOR) BY OTHERS.
 4. MAGNETIC CATCH (NOT TO EXCEED 30 LBS.) BY OTHERS.
 5. STUD PLACED 5" FROM THE FACE OF THE POCKET BY OTHERS. (TYPICAL ON BOTH SIDES OF THE POCKETS.)
 6. PROVIDE FIRE RATED CONSTRUCTION CORRESPONDING TO RATING REQUIRED FOR OPENING BY OTHERS.

NOTE:
BUMPER MUST BE SPECIFIED WHEN NON-SPRING-ACTION HINGES ARE USED. ADD 1" TO POCKET DEPTH TO ALLOW FOR BUMPER.

