

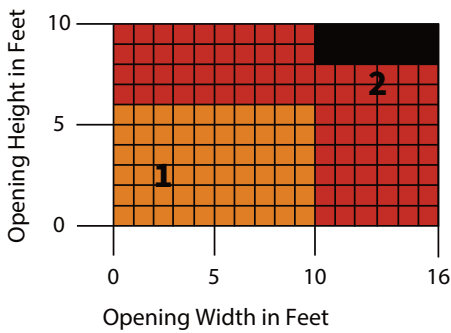
FIRE RATED COUNTER SHUTTER

Model ERC10 & Model ERC 11 (SmokeShield®)

MEASURE THE WIDTH AND HEIGHT OF THE OPENING

DOOR SIZE AND AREA*

The maximum limits listed in our UL procedure are for counter fire shutters up to 16'-0" wide, 10'-0" high or a 120 sq ft maximum. If the counter shutter is over 12' wide the limit is 7'6" high.

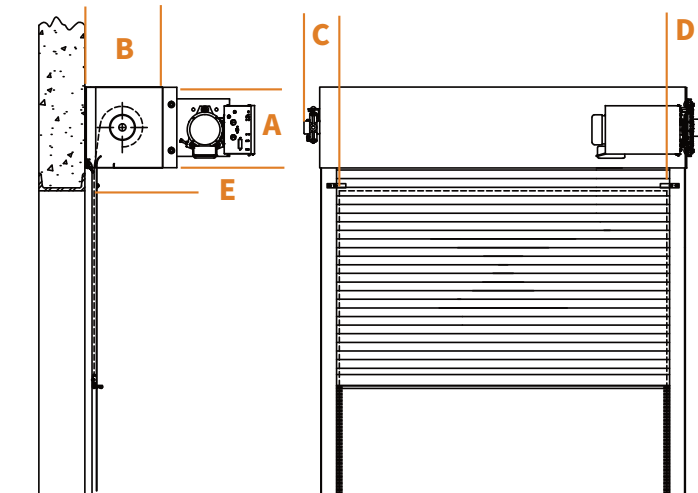


*Chart based on 22 gauge steel slats.

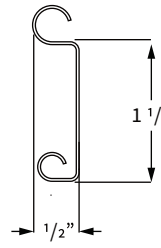
COMPONENT DIMENSIONS

Reference the zone number to view component dimensions for motorized doors.

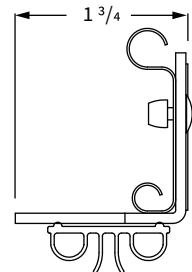
1	11	14	3-7	5-8	2-5
2	14	14	3-7	5-8	2-5
Zone	A	B	C	D	E



SLAT DESIGN



ANGLE BOTTOM BAR



The details and dimensions on this sheet are provided as a rough guide for planning purposes. Project specific details and dimensions are available by generating drawings from our website: www.cornelliron.com/drawings

FIRE PROTECTIVE CLOSURE **FIRE RATED COUNTER SHUTTER**

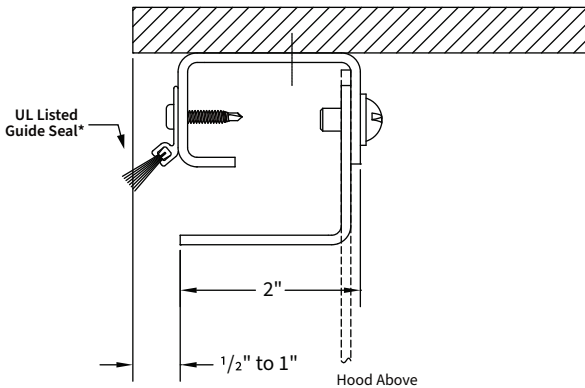
Model ERC10 & Model ERC11 (SmokeShield®)

The shaft size will be determined by the size of the door. A larger door will require a larger shaft

GUIDE CONSTRUCTION OPTIONS

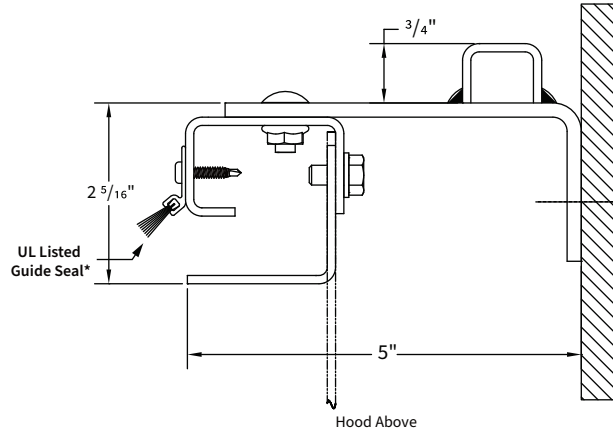
3" SHAFT FACE OF WALL

Guides are mounted to the interior or exterior side of the wall.



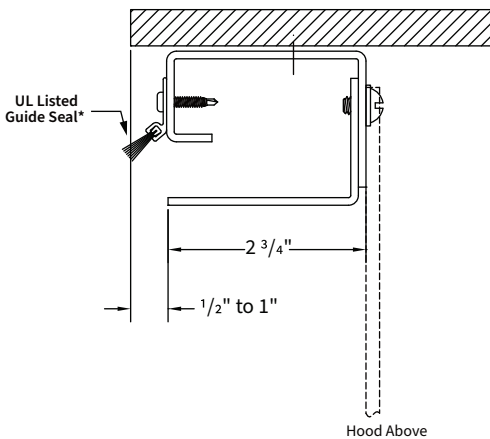
3" SHAFT BETWEEN JAMBS

Guides are mounted to the inside of the jamb.



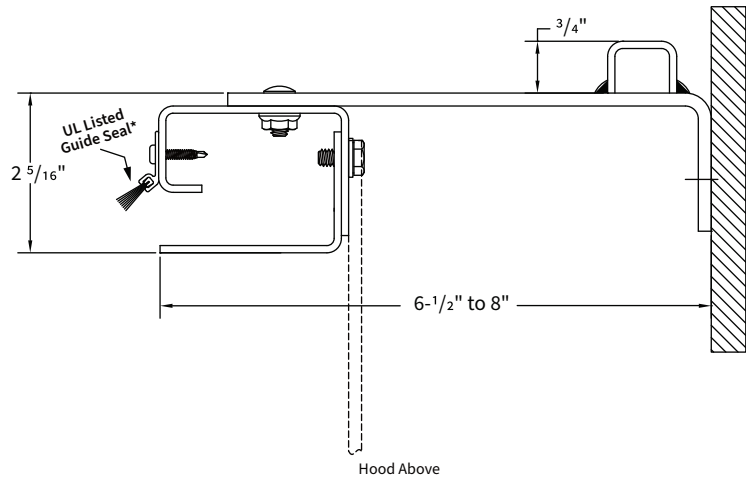
4" SHAFT FACE OF WALL

Guides are mounted to the interior or exterior side of the wall.



4" SHAFT BETWEEN JAMBS

Guides are mounted to the inside of the jamb.



*The UL listed guide seal is standard on model ERC11.

The details and dimensions on this sheet are provided as a rough guide for planning purposes. Project specific details and dimensions are available by generating drawings from our website: www.cornelliron.com/drawings

CUSTOM-DESIGNED SOLUTIONS

Our experienced Architectural Design Support Team can customize our products to fit your specific application. Call 800.233.8366 ext. 4551 • architecturalsupport@cornellcookson.com

800.233.8366 | cornelliron.com

CornellCookson, Inc. is an ISO 9001:2008 registered company

6.2021

CORNELL
Innovative door solutions.