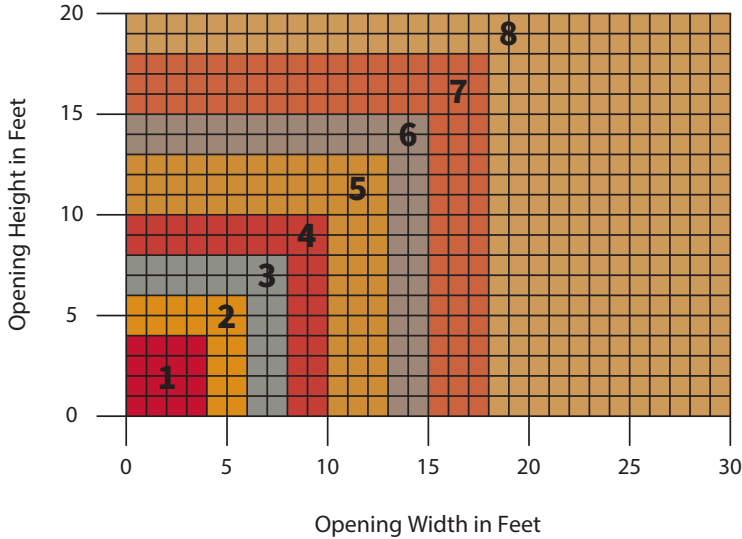


# HEAVY DUTY 5015 ROLLING GRILLE

Model 5015

## MEASURE THE HEIGHT AND WIDTH OF THE OPENING

### GRILLE SIZE AND AREA



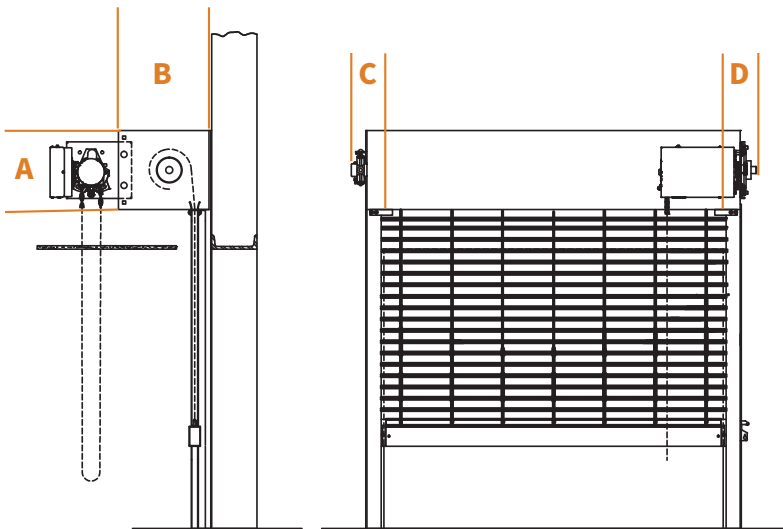
### COMPONENT DIMENSIONS

Reference the zone number to view component dimensions for motorized doors.

Dimensions in Inches

1	14	16	6	6.125
2	15	17	6	6.125
3	16	18	6	6.125
4	17	19	6	6.125
5	18	20	6	6.125
6	19	21	6	6.125
7	20	22	6	6.125
8	21	23	6	6.125

Zone A B C D



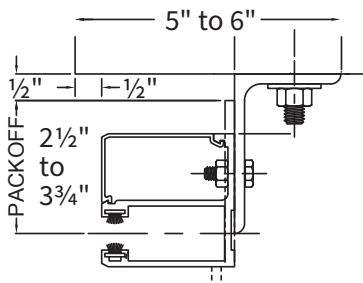
The dimensions featured on this sheet are provided as a guide. Please visit our website at [www.cornelliron.com/drawings](http://www.cornelliron.com/drawings) to generate drawings on demand with exact dimensions.

# ROLLING GRILLES **HEAVY DUTY 5015 ROLLING GRILLE Model 5015**

## GUIDE CONSTRUCTION OPTIONS

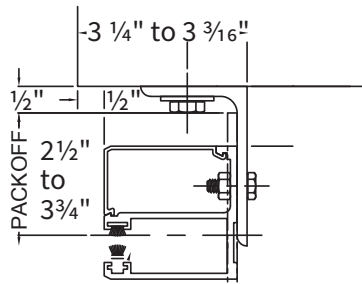
### FACE OF WALL Z

Typically used with masonry wall construction, guides are mounted to the interior or exterior side of the wall.



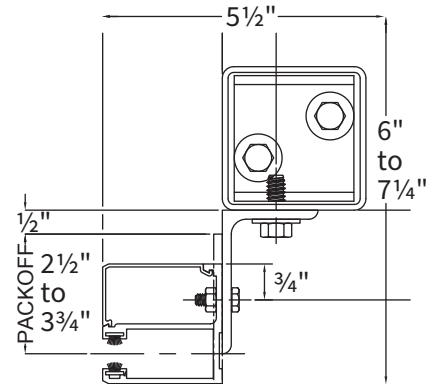
### FACE OF WALL E

Typically used with steel jambs, guides are mounted to the interior or exterior side of the wall.



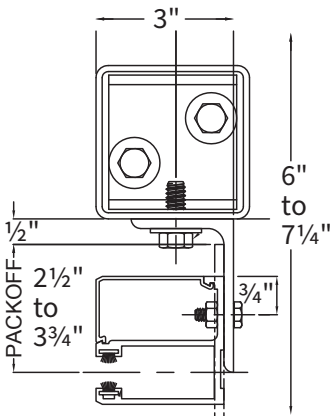
### FACE OF WALL Z WITH TUBES

Used when there is uneven or insufficient wall structure, guides are mounted to tubes attached to floor and overhead structure.



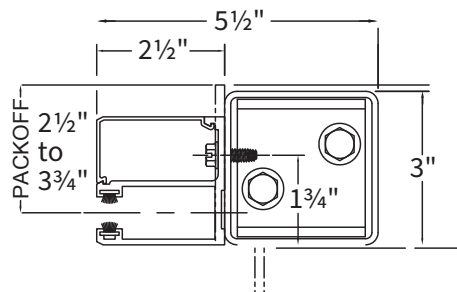
### FACE OF WALL E WITH TUBES

Used when there is uneven or insufficient wall structure, guides are mounted to tubes attached to floor and overhead structure.



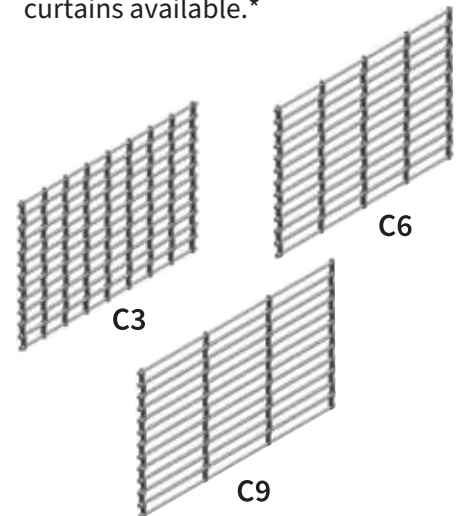
### BETWEEN JAMBS WITH TUBES 3x3

Typically used if there's no wall support, and tubes and guides need to be recessed within the wall construction



### CURTAIN DESIGN

3/16" thick links with 5/16" solid rods spaced 1 1/2" apart and 1/2" diameter tube spacers on every rod. Aluminum and stainless steel curtains available.\*



The dimensions featured on this sheet are provided as a guide. Please visit our website at [www.cornelliron.com/drawings](http://www.cornelliron.com/drawings) to generate drawings on demand with exact dimensions.

## CUSTOM-DESIGNED SOLUTIONS

Our experienced Architectural Design Support Team can customize our products to fit your specific application. Call 800.233.8366 ext. 4551 • [architecturaldesignsupport@cornellcookson.com](mailto:architecturaldesignsupport@cornellcookson.com)