

HIGH PERFORMANCE LINE

# EXTREME<sup>®</sup> RUBBER DOOR

Models EPR-10 and EPR-20



## HIGH PERFORMANCE, HIGH SPEED, IMPACTABLE DOORS

### OUR DOORS DO THEIR JOB SO YOU CAN TOO

In severe applications, Extreme Rubber Doors deliver maximum up-time and minimal maintenance. This door gives owners and operators the confidence to focus on the job at hand with no more worries about impact issues.

### FOR THE ROUGHEST, TOUGHEST STUFF

Durable and reliable, these doors function admirably in the most inhospitable climates: torrential rain, frigid cold, blizzard snow and scorching heat. Whether you're dealing with a high pressure environment, busy traffic conditions, excessive dirt or corrosive factors, this is the solution you've been looking for.

### WORKS IN "EXTREME" TEMPERATURES

Withstands head-on impacts and is resistant to abusive environments in temperatures from -40°F to 180°F. Post-impact, the door is up and running in minutes. Features sustainable design and outboard springs.

### RELIABLE, CONSISTENT DOOR OPERATION AND IMPACT RELEASE PERFORMANCE

Mechanically fastened CurtainLok™ retention system helps eliminate wear by allowing the curtain to withstand severe winds and impacts from any direction. No hinges, cables, pulleys or curtain guide gap to maintain.

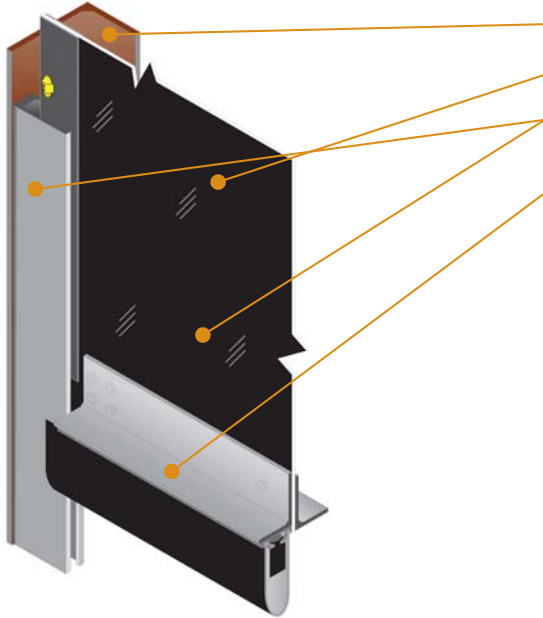
800.233.8366 | [cornelliron.com](http://cornelliron.com)

CornellCookson, Inc. is an ISO 9001:2008 registered company  
8/2016

**CORNELL**  
Innovative door solutions<sup>®</sup>

# HIGH PERFORMANCE LINE **EXTREME® RUBBER DOOR** Models EPR-10 and EPR-20

## STANDARD COMPONENT MATERIALS AND FINISHES



**MOUNTING ANGLE**

**SBR BLACK RUBBER CURTAIN** - Reinforced, flexible polyester core weave

**GUIDES AND CURTAIN** - Patented one-piece NEWGEN® guide supplied in high-strength aluminum.

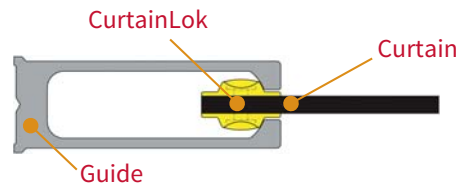
**KNOCK-AWAY BOTTOM BAR** - Knock-away double angle steel bottom bar with rubber astragal and reversing edge.

**FRAME-MOUNTED, THRU-BEAM PHOTO EYE**

**MOTOR** - Dependable and proven heavy-duty drive system configurations.

**MODEL EPR-10** - Full line of drive system choices to match size, traffic flow, speed and maintenance factors.

**MODEL EPR-20** - Springless cycle duty design for extreme high cycle applications. Accommodates low headroom conditions.



## OPERATION

### Motor operator configuration requirements

- ▶ Heavy duty gear head (RG) operator or high efficiency helical gear head (HG) operator with multi-function capacity PLC
- ▶ Door speeds to meet your design requirements
- ▶ Options: access controls and specialty functions

## OPTIONAL MATERIALS AND FINISHES

- ▶ Colors, windows, hoods, traveling windbar, MSHA-rated self-extinguishing curtains, corrosive resistant curtains, internal springs



## CUSTOM-DESIGNED SOLUTIONS

Contact our experienced Architectural Design Support Team for help in customizing our products to fit your specific application. Call 800.233.8366 ext. 4551 • ads@cornelliron.com

800.233.8366 | [cornelliron.com](http://cornelliron.com)

CornellCookson, Inc. is an ISO 9001:2008 registered company  
8/2016

**CORNELL**  
Innovative door solutions®