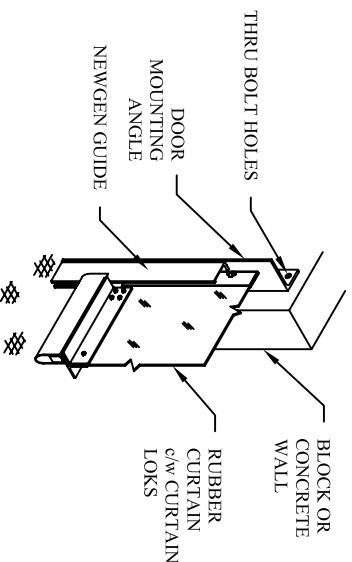


NEWGEN GUIDE AND CURTAIN LOK SYSTEM STEEL JAMB MOUNTING



NEWGEN GUIDE AND CURTAIN LOK SYSTEM CONCRETE WALL MOUNTING **

** CLEARANCE DIMENSION IS 8" FOR CONCRETE MOUNT CONFIGURATION
 *** OPTIONAL HOODS REQUIRE 10" & 16" SIDEROOM, 21" HEADROOM AND 37" OPERATOR PROTRUSION
 **** FOR OPTIONAL JAMB MOUNTED WINDBAR ADD 6" TO OPENING HEIGHT

MECHANICAL OPTIONS	ELECTRICAL OPTIONS	STANDARD SYSTEM INCLUDES
<input type="checkbox"/> - GUIDE MOUNTED WINDBAR	<input type="checkbox"/> - FUSED DISCONNECT	- SPEEDS UP TO 30 IPS OPEN, 12 IPS CLOSE
<input type="checkbox"/> - **** JAMB MOUNTED WINDBAR	<input type="checkbox"/> - LOOP DETECTOR	- TIMER TO CLOSE (USER SELECT)
<input type="checkbox"/> - GUIDE GUARDS	<input type="checkbox"/> - WIRELESS RECEIVER	- NEMA 4 CONTROL PANEL & LIMIT BOX
<input type="checkbox"/> - **** EXTERIOR HOODS	<input type="checkbox"/> - WIRELESS TRANSMITTER, QTY. _____	- DIRECT CONNECT INERTIA BRAKE
<input type="checkbox"/> - **** SAFETY CHAIN GUARDS	<input type="checkbox"/> - N 4X, PUSHBUTTON STN, QTY. _____	- REVERSING EDGE
<input type="checkbox"/> - 16" x 16" WINDOWS, QTY. _____	<input type="checkbox"/> - MOTION DETECTOR, QTY. _____	- THRU-BEAM PHOTOEYE
<input type="checkbox"/> - BLUE EPDM CURTAIN	<input type="checkbox"/> - ADD. THRU-BEAM PHOTOEYE, QTY. _____	- 3" HIGH, BLACK EPDM RUBBER LOOP
<input type="checkbox"/> - GRAY EPDM CURTAIN	<input type="checkbox"/> - ADD. REFLECTIVE PHOTOEYE, QTY. _____	- HINGED KNOCK-AWAY STYLE BOTTOM BAR
<input type="checkbox"/> -	<input type="checkbox"/> -	- NEWGEN GUIDE AND CURTAIN LOK SYSTEM
<input type="checkbox"/> -	<input type="checkbox"/> -	- PROGRAMMABLE CONTROLLER
<input type="checkbox"/> -	<input type="checkbox"/> -	- FREQUENCY INVERTER
<input type="checkbox"/> -	<input type="checkbox"/> -	-

CORNELL IRON WORKS, INC.

SHOP DRAWING, MODEL EPR-20, LEFT HAND

EXT. DETAIL: DOOR MOUNT OPERATOR & INERTIA BRAKE

LIMITATIONS: 25' 0" W x 10' 0" H

DRAWING No.: D-630-0024

REVISION: REL
 RELEASE: MAY 5, 2010

ELECTRICAL CRITERIA: PLC & FREQUENCY INVERTER DRIVE

CONTROL PANEL NEMA/EMAC 4 STD. OR _____

PRIMARY POWER SUPPLY: _____ Volts, 3 Phase, 60 Hertz

OPERATOR CRITERIA: HG, HIGH EFFICIENCY HELICAL GEAR

LIMIT BOX NEMA/EMAC 4 STD. OR _____

HP, DOOR SPEED: OPEN @ _____ ips, CLOSE @ _____ ips

PROJECT NAME:

DISTRIBUTOR:

DOOR SIZE:

No.: